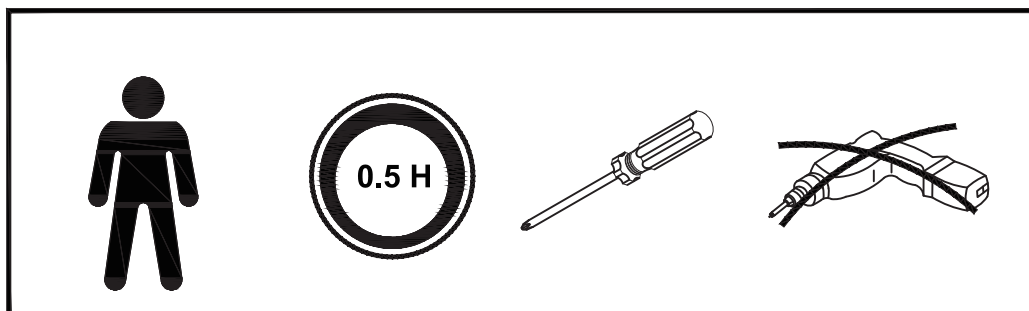
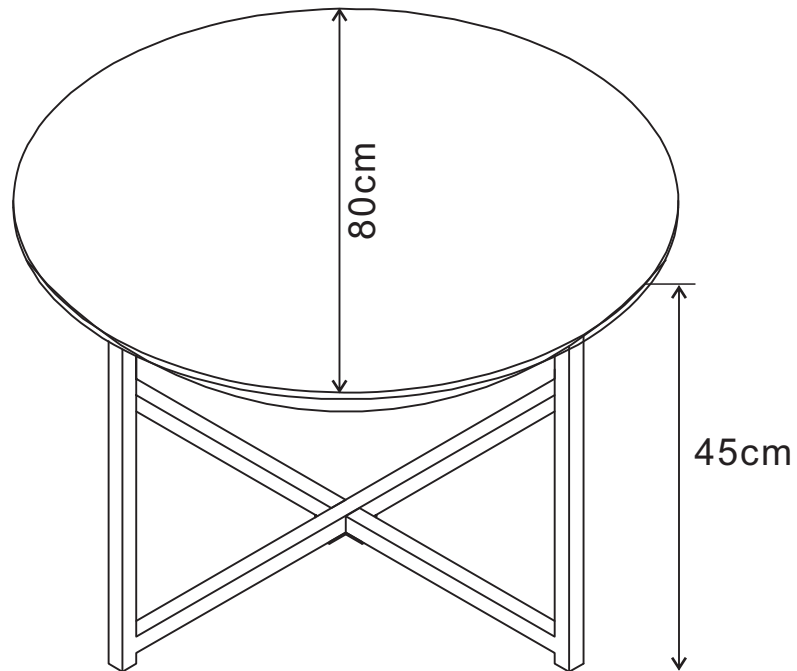
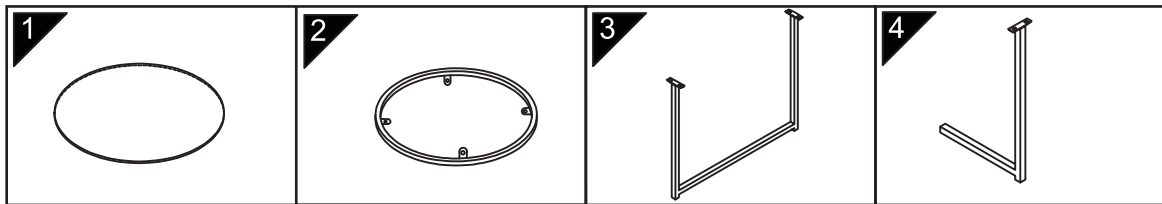
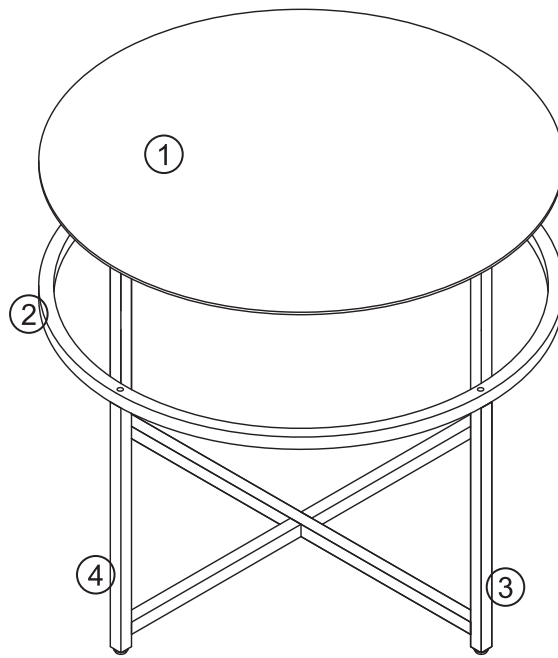


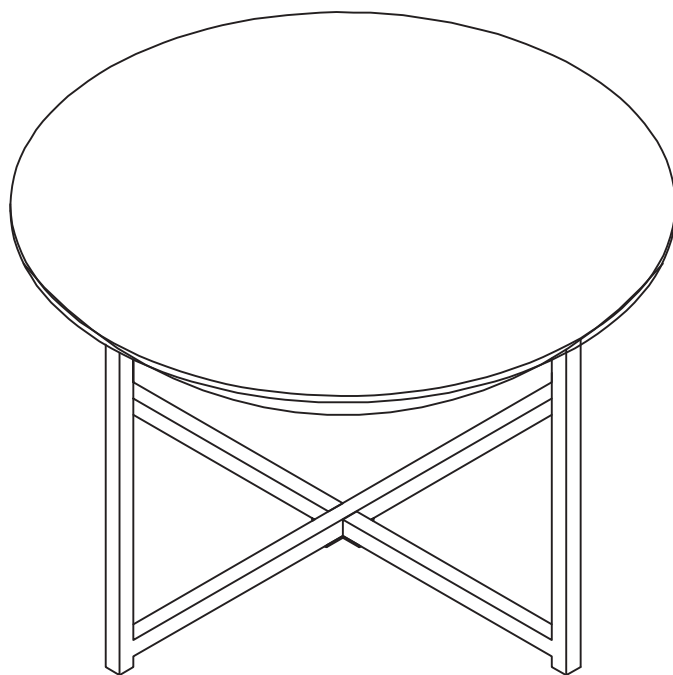
NIMARA ASHLEY

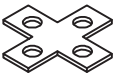






1-5

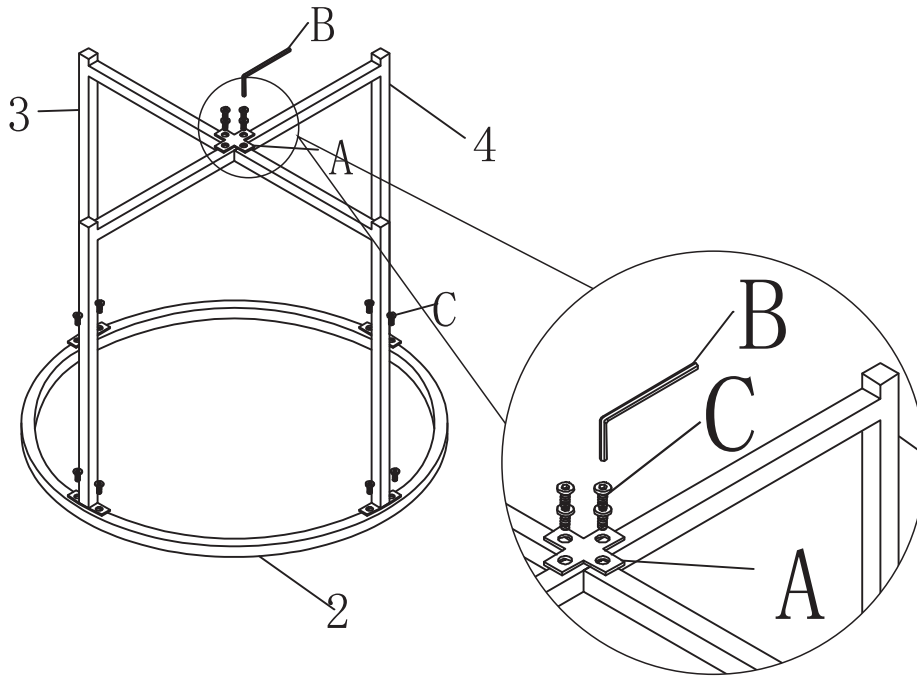
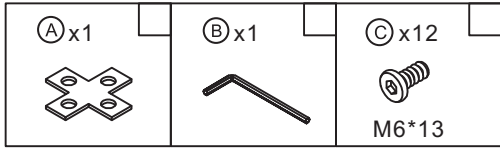


1	∅80CM	1pc
2	∅79CM	1pc
3	79x41CM	1pc
4	38x41CM	2pc

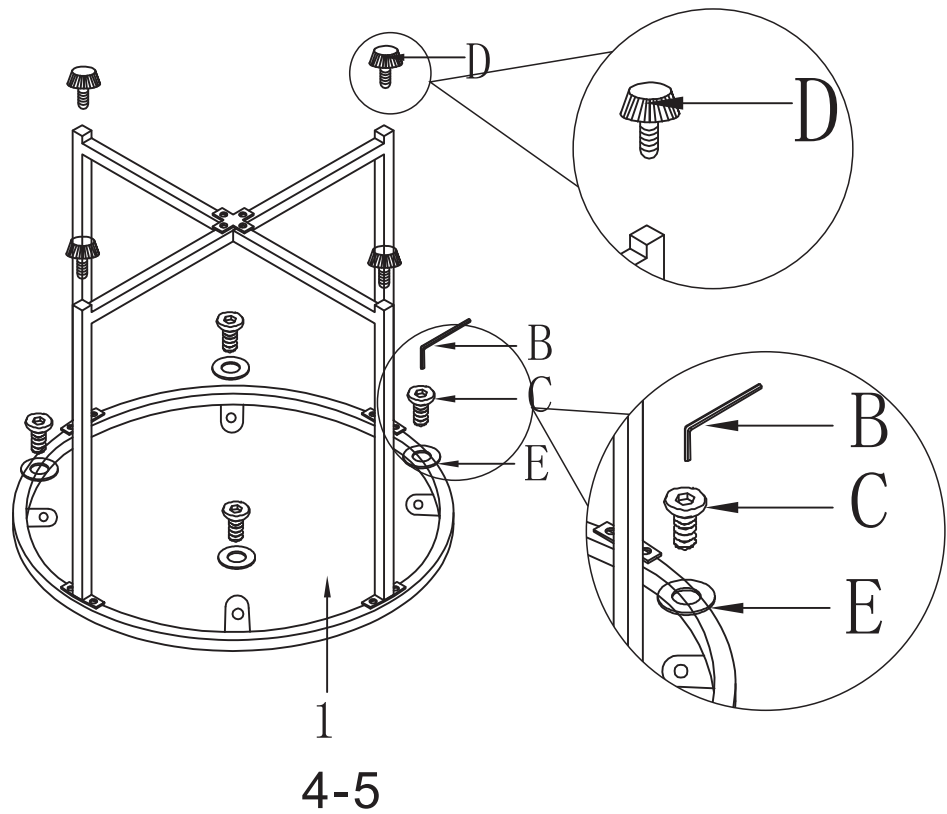
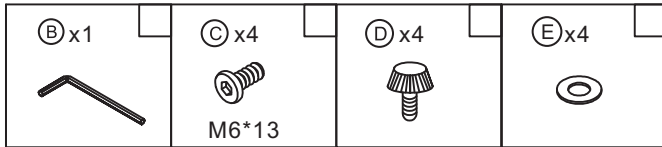


<p>(A) x1</p> 	<p>(B) x1</p> 	<p>(C) x16</p>  <p>M6*13</p>	<p>(D) x4</p> 	<p>(E) x4</p> 
---	---	---	---	---

1



2



3



5-5