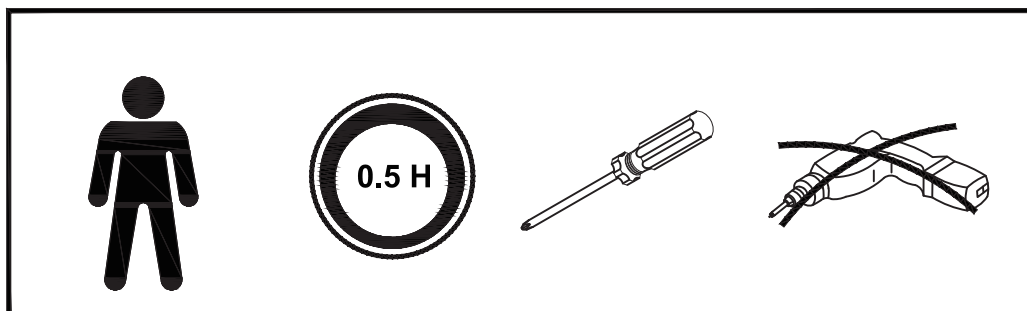
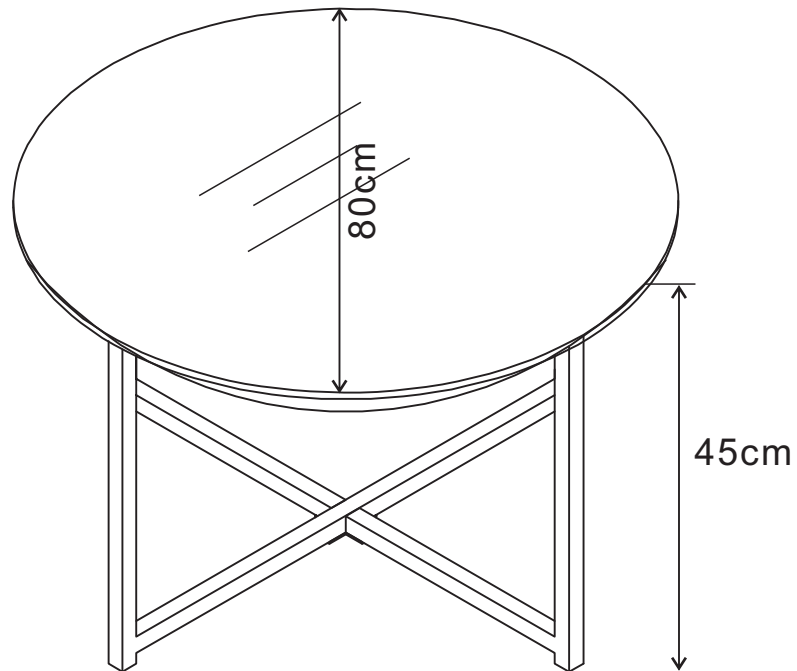
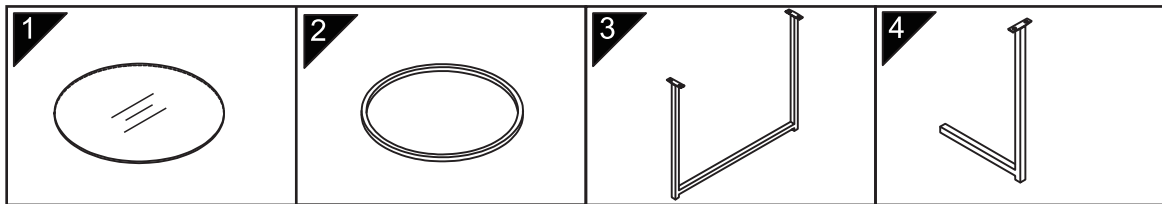
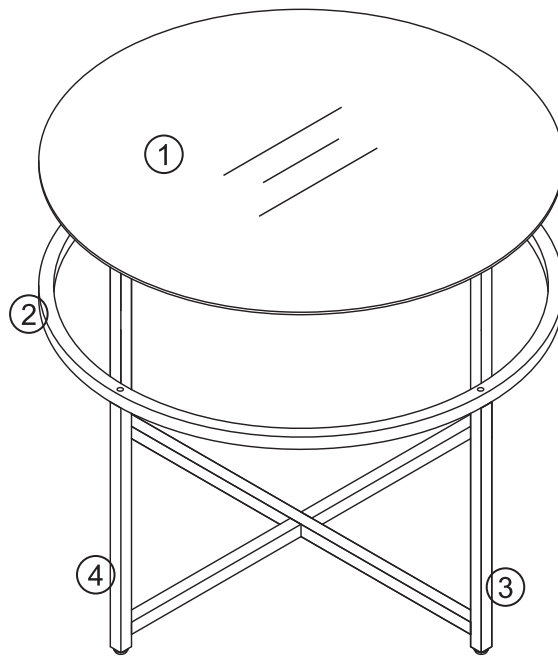


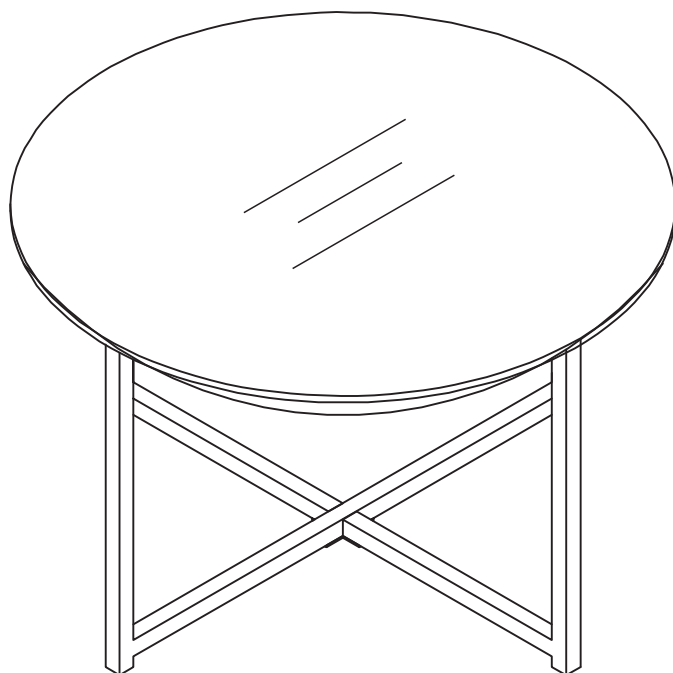
NIMARA ASHLEY



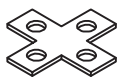
1-5



1	∅80CM	1pc
2	∅79CM	1pc
3	79x41CM	1pc
4	38x41CM	2pc



Ⓐ x1



Ⓑ x1



Ⓒ x12



M6*13

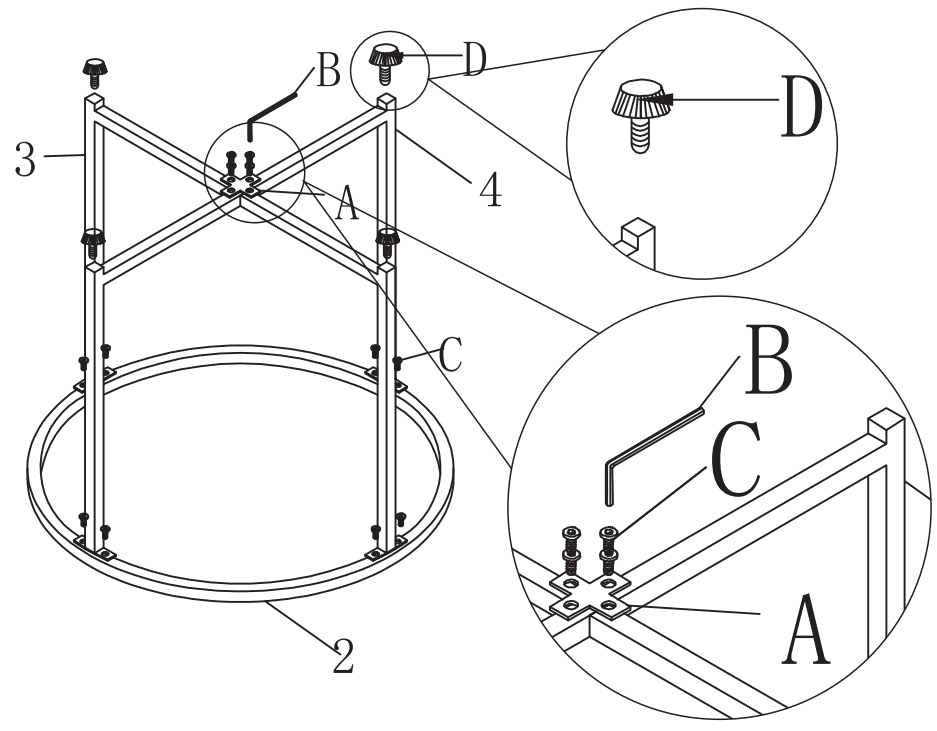
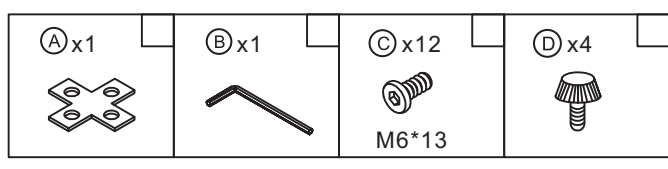
Ⓓ x4



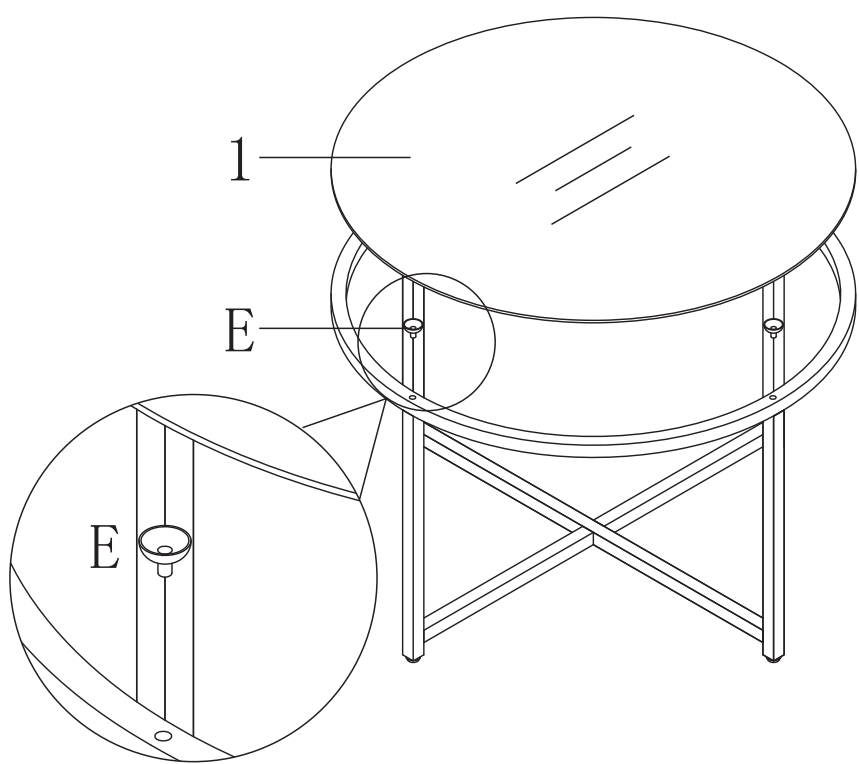
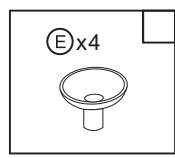
Ⓔ x4



1

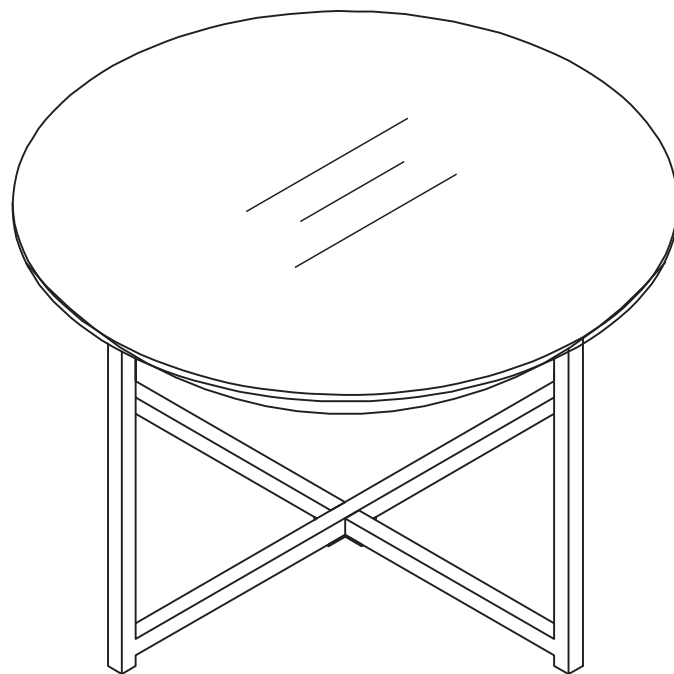


2



4-5

3



5-5