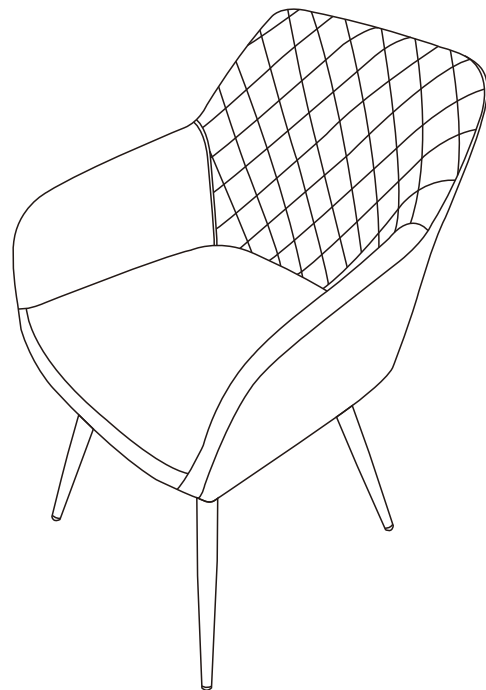


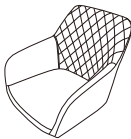
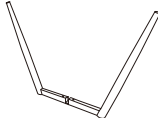
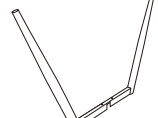








NIMARA

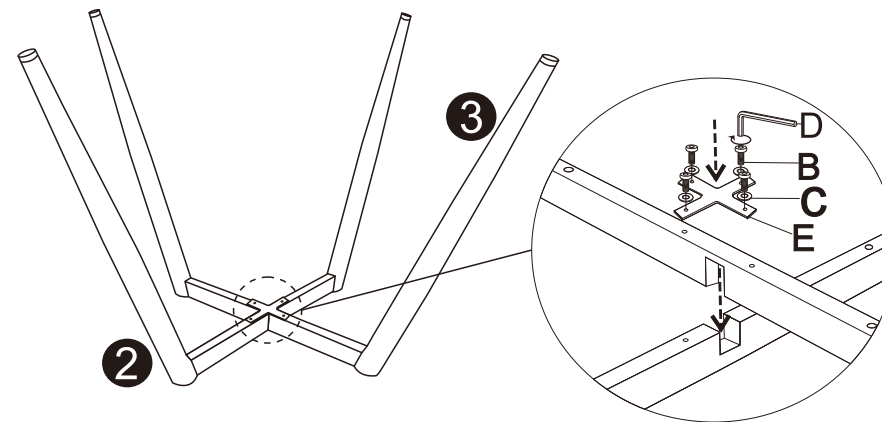
ASSEMBLY INSTRUCTION

Carlo Swivel chair



1  X1	2 Right leg – Blue  X1	3 Left leg – White  X1	4  X1	
A  M6x25mm X4	B  M6x16mm X8	C  6x16x1.5mm X8	D  5# X1	E  X1

1



2

