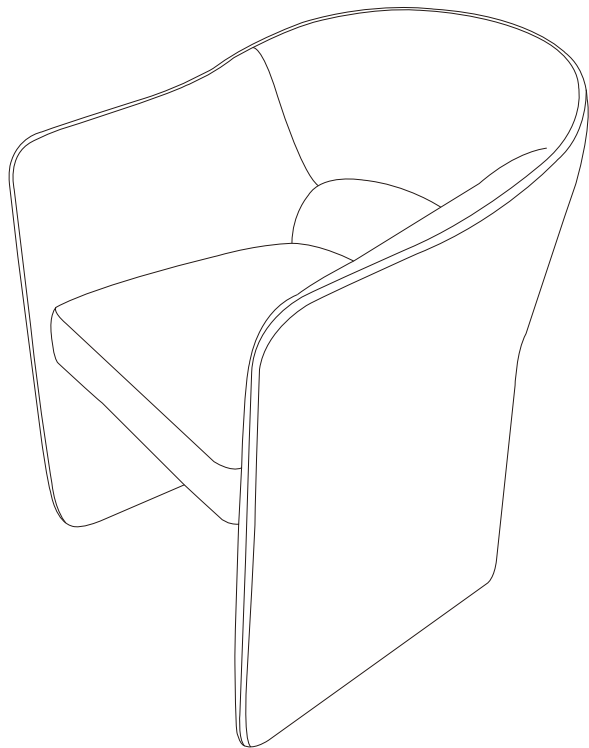
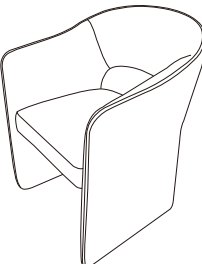
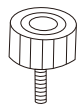




ASSEMBLY INSTRUCTION

Daniella Dining chair



| | |
|--|--|
| <p>①</p>  <p>X1</p> | <p>②</p>  <p>X4</p> |
|--|--|

1

