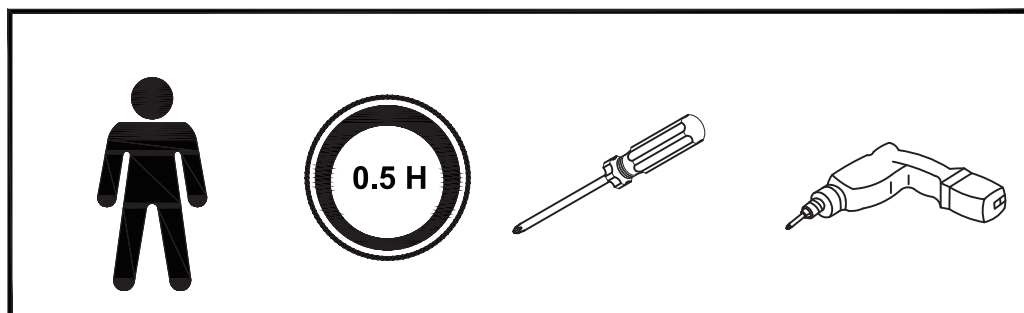
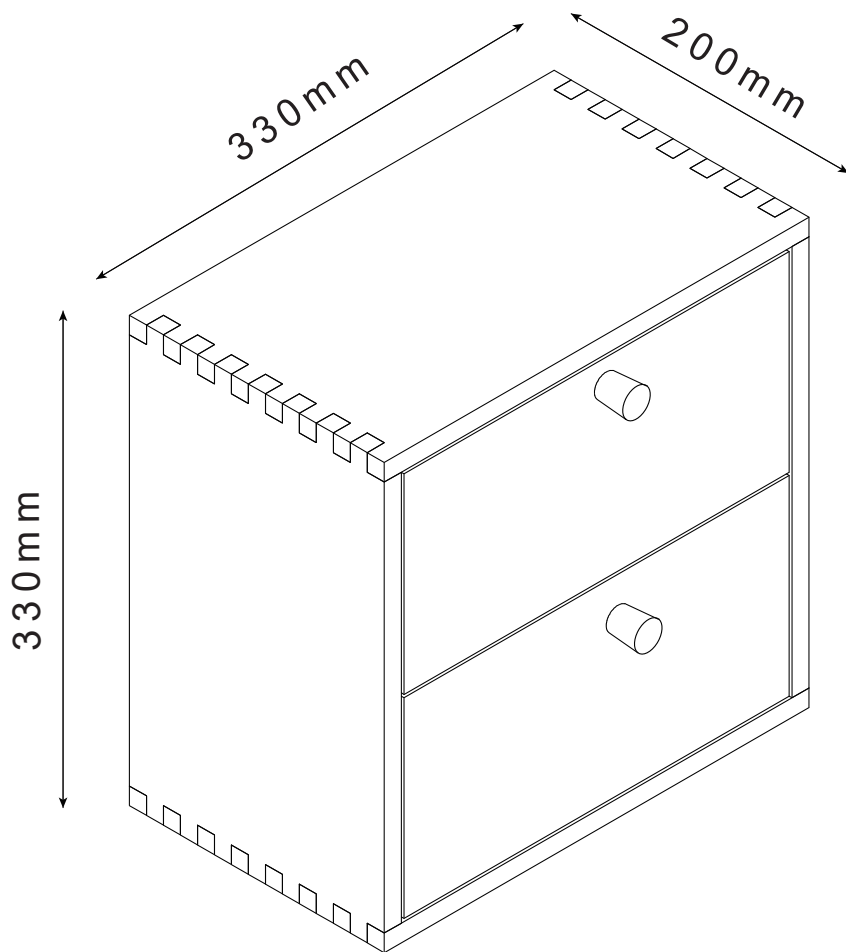
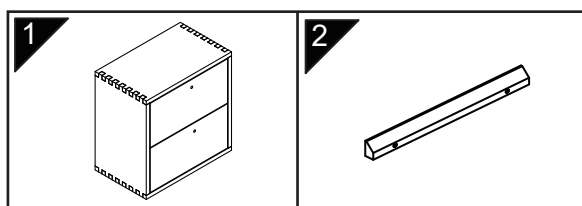
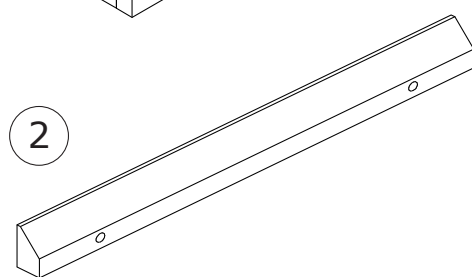
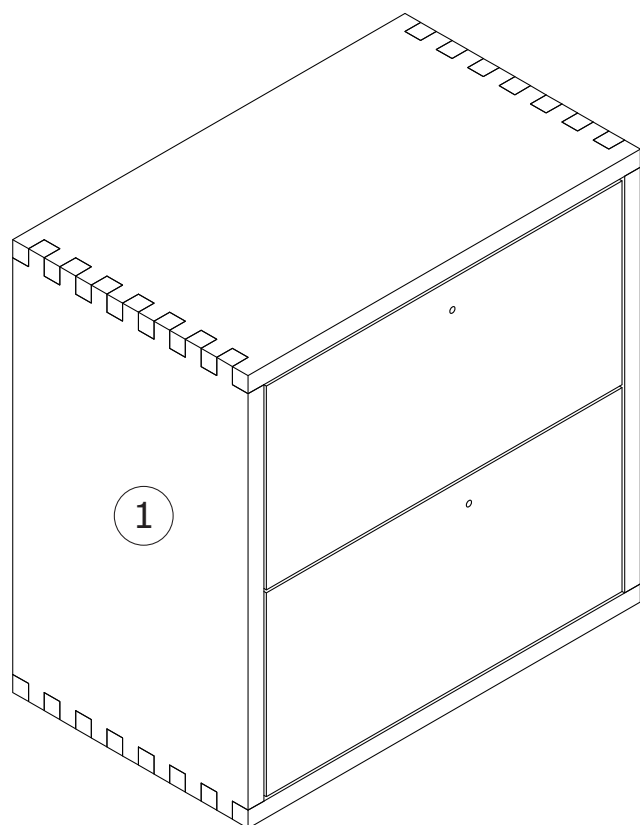
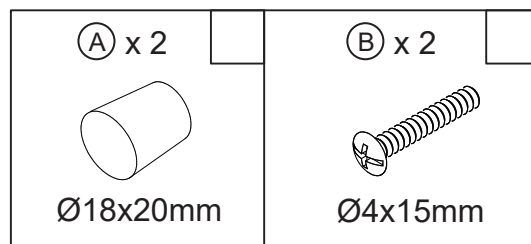
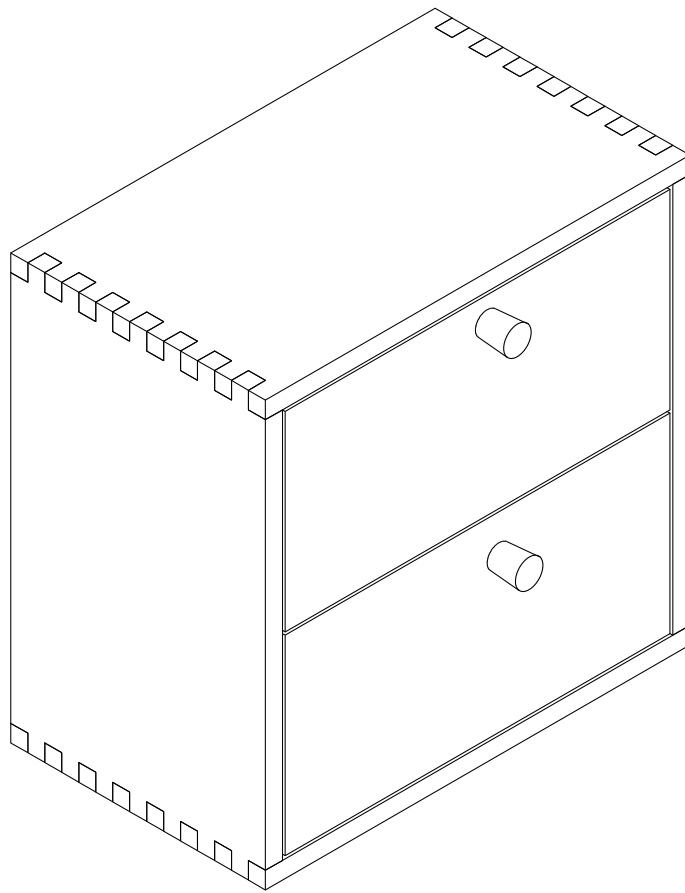


# NIMARA RUMI

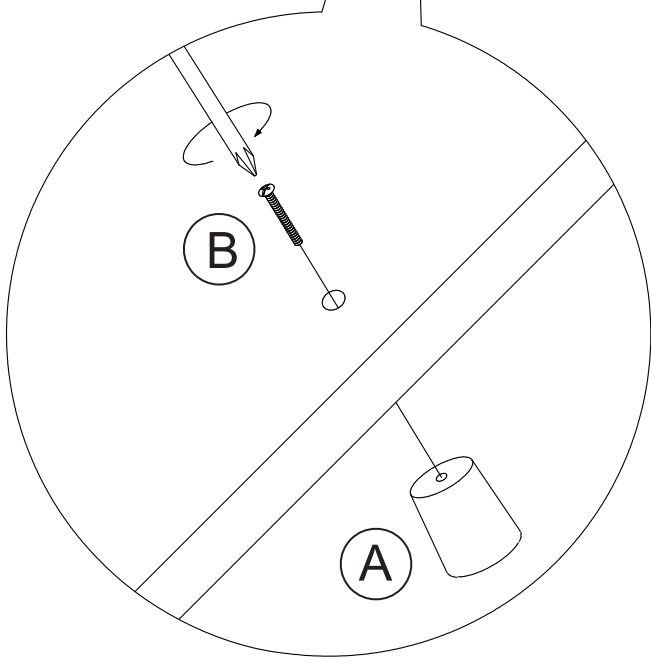
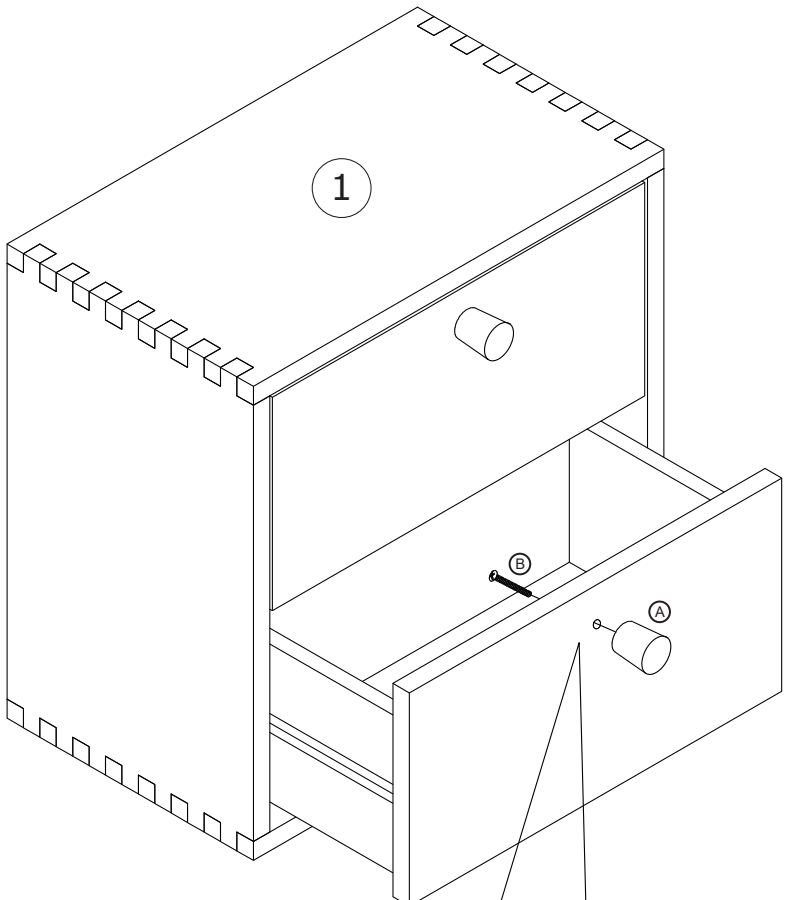
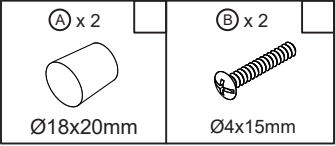




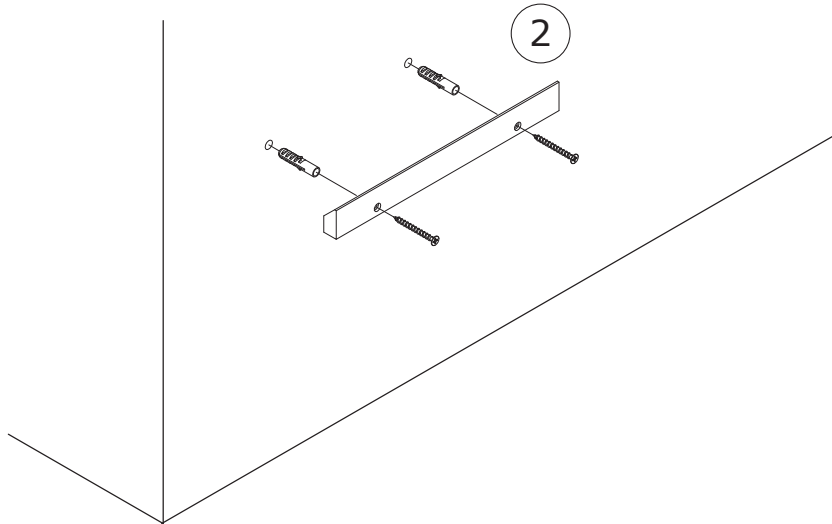
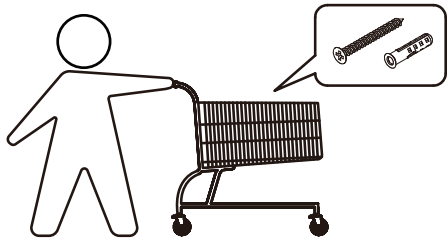
1	330 x330x200mm	1pc
2	310 x25x15mm	1pc



1



2



3

