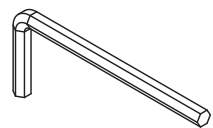
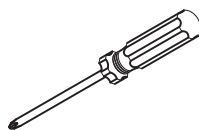
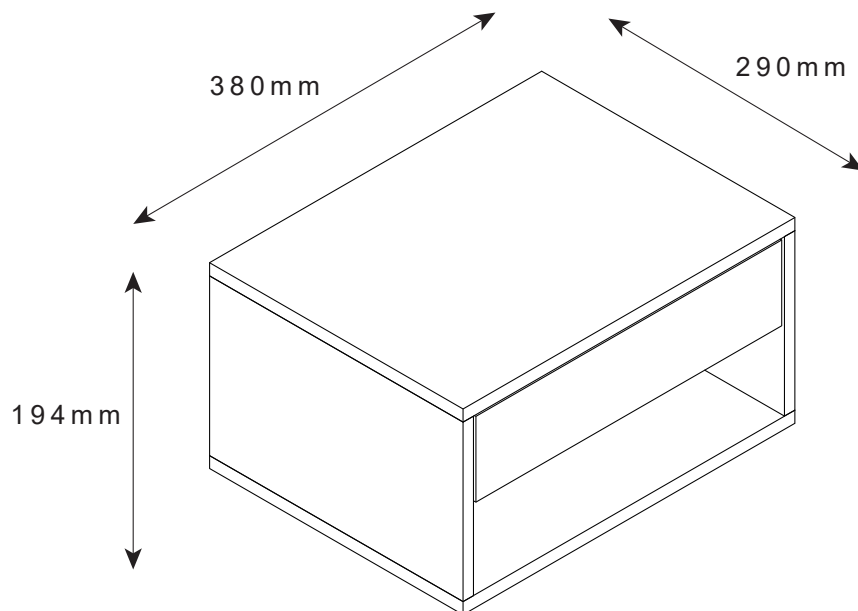
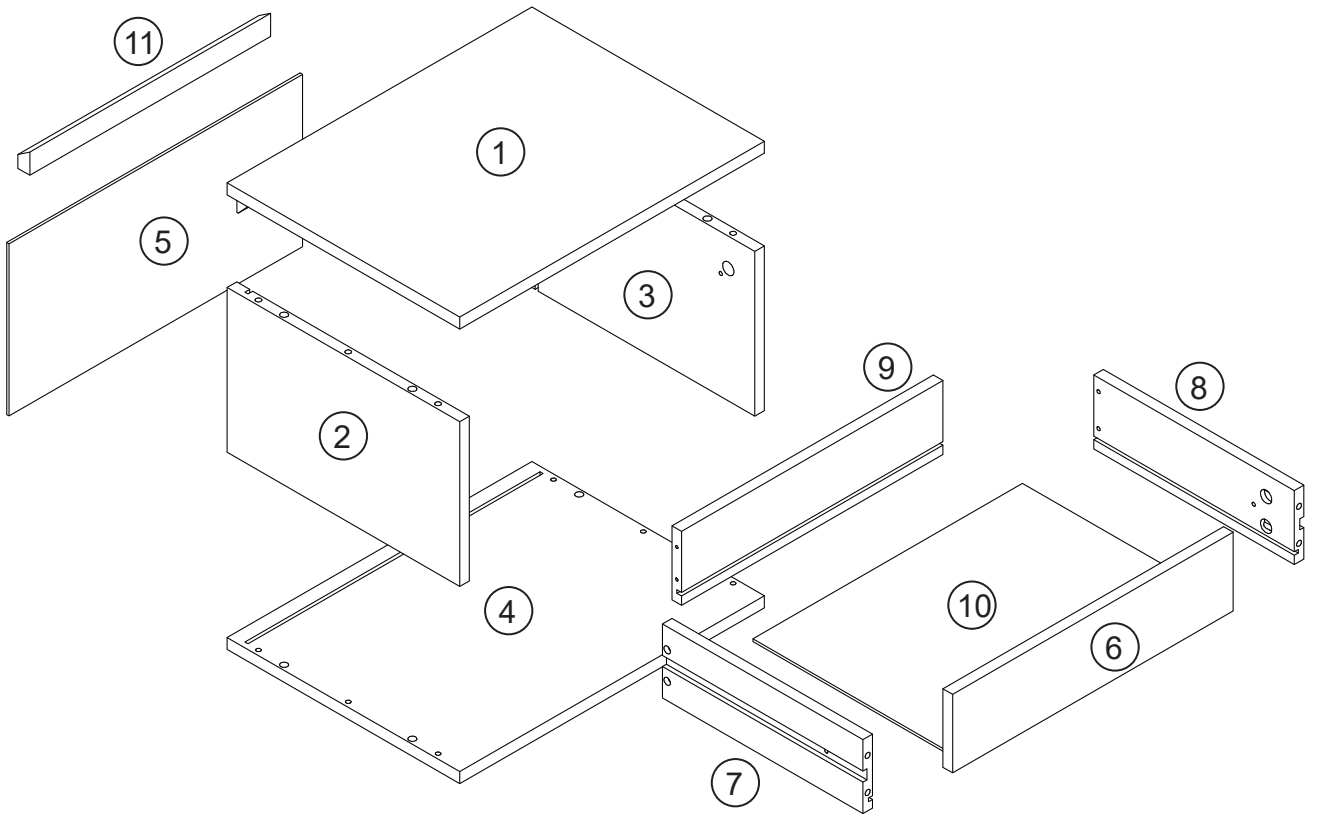
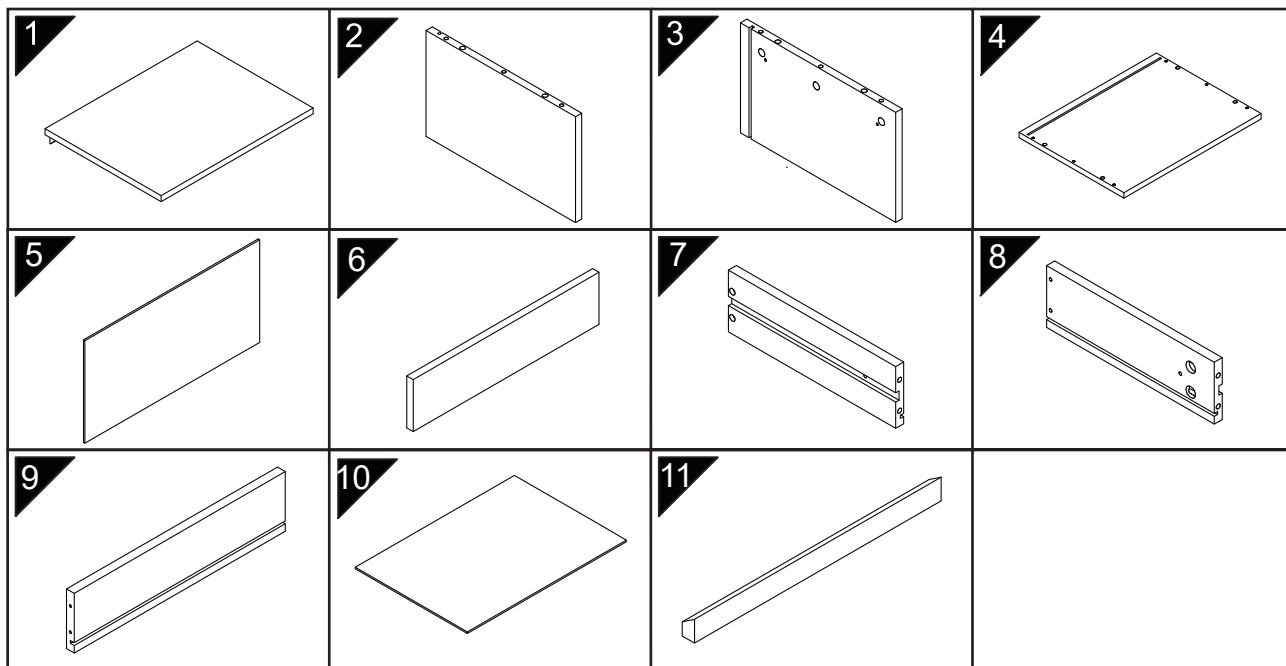


NIMARA

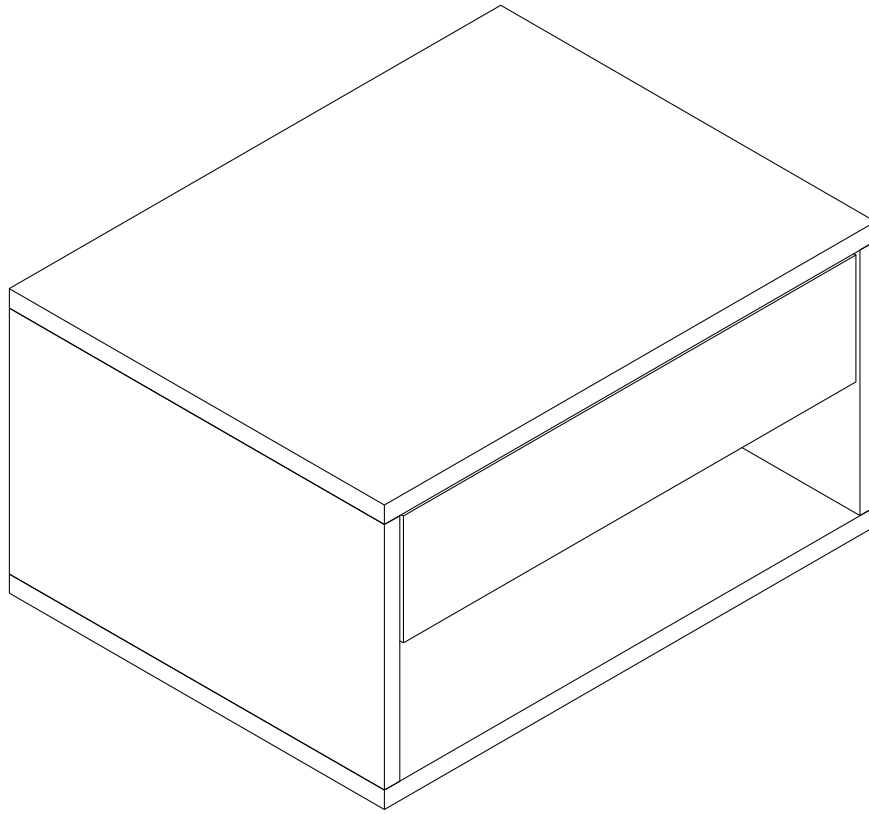
Selina

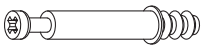





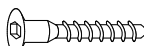
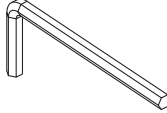
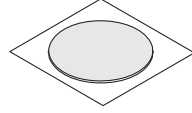
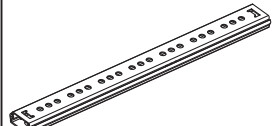




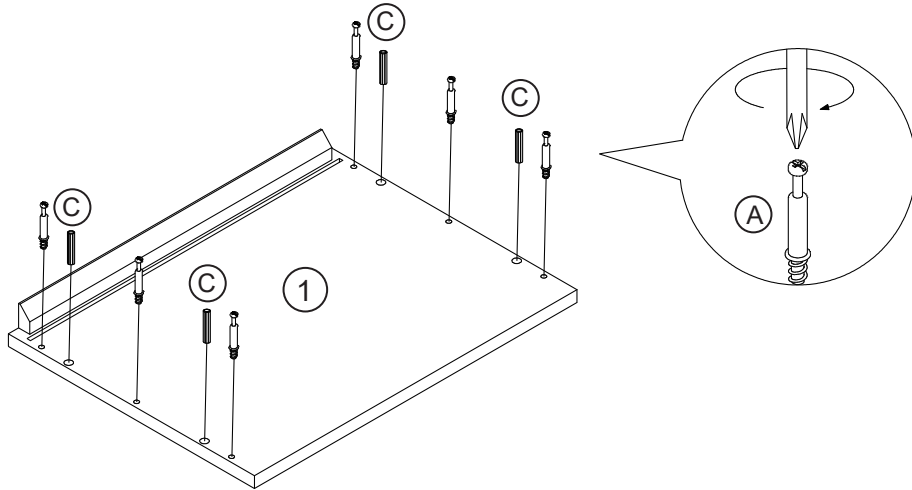
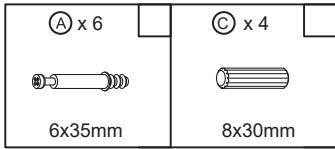


1	380x290x12 mm	1 pc
2	290x170x12 mm	1 pc
3	290x170x12 mm	1 pc
4	380x290x12 mm	1 pc
5	365x180x3 mm	1 pc
6	350x85x12 mm	1 pc
7	250x80x12 mm	1 pc
8	250x80x12 mm	1 pc
9	315x80x12 mm	1 pc
10	330x250x3 mm	1 pc
11	330x25x15 mm	1 pc

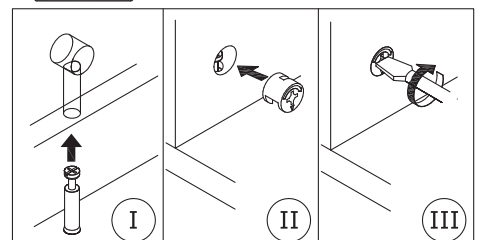
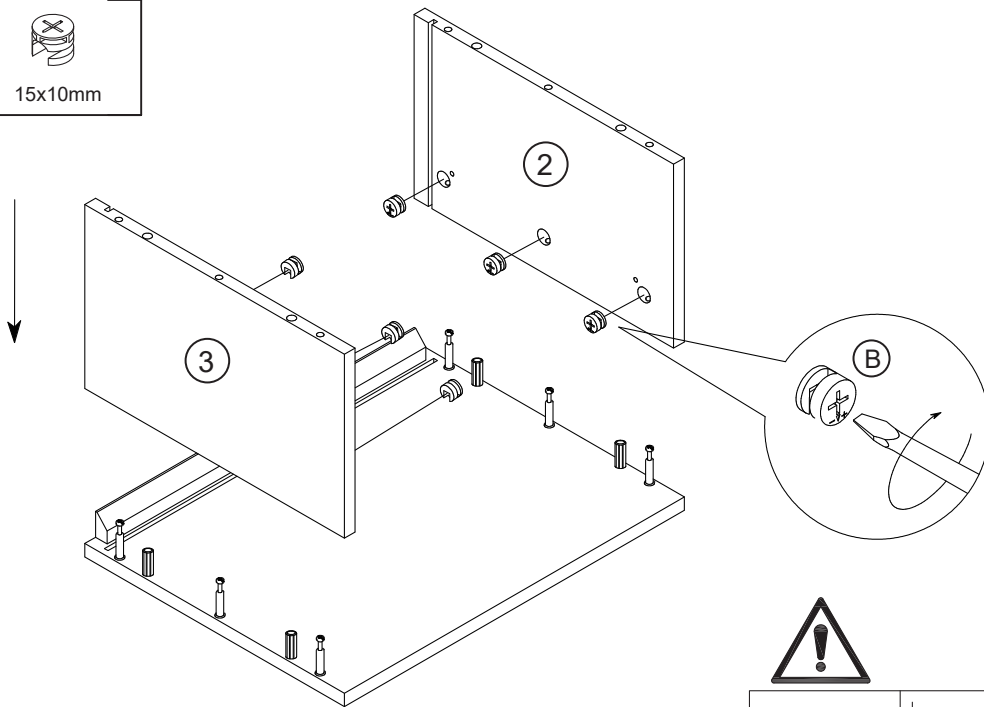
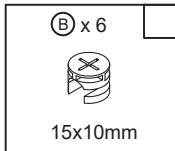


<p>Ⓐ x 10</p>  <p>6x35mm</p>	<p>Ⓑ x 10</p>  <p>15x10mm</p>	<p>Ⓒ x 8</p>  <p>8x30mm</p>	<p>Ⓓ x 4</p>  <p>M4x25mm</p>	<p>Ⓔ x 6</p>  <p>M5x10mm</p>
<p>Ⓕ x 2</p>  <p>M4x12mm</p>	<p>Ⓖ x 6</p>  <p>M5x40mm</p>	<p>Ⓗ x 1</p>  <p>M3</p>	<p>Ⓘ x 4</p>  <p>φ20mm</p>	<p>Ⓙ x 2</p>  <p>240x18x10mm</p>

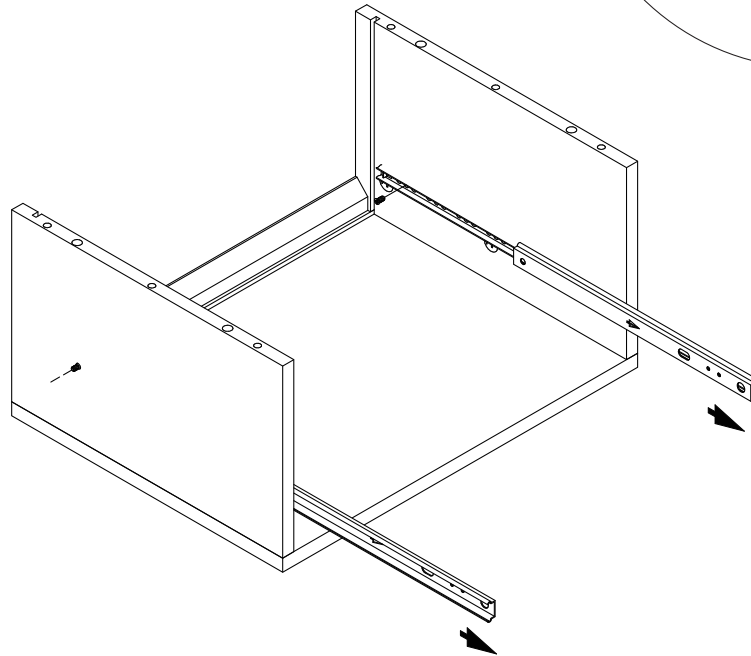
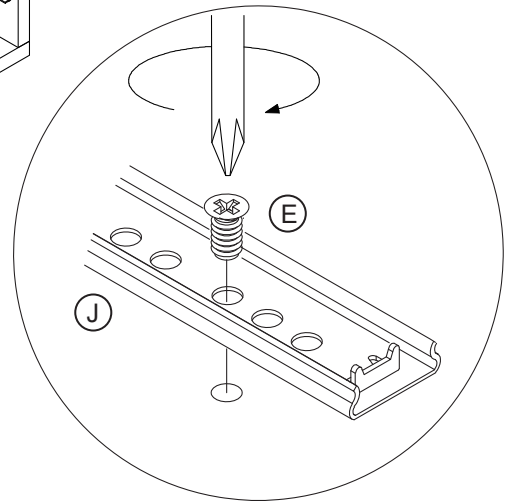
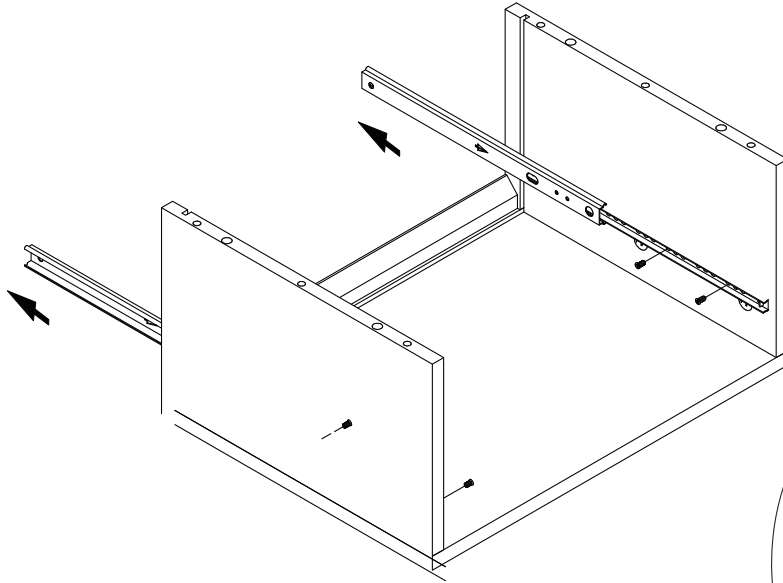
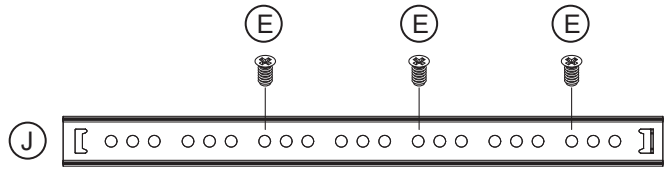
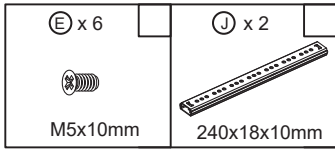
1



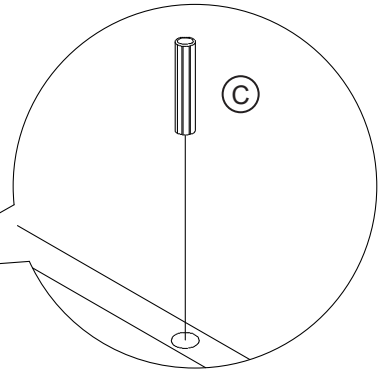
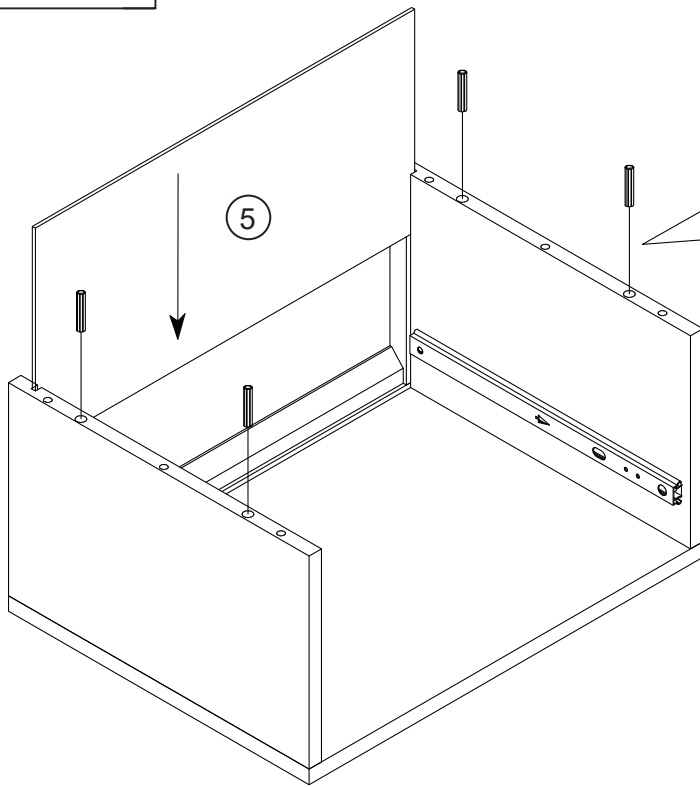
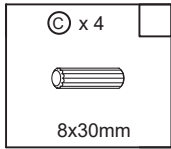
2



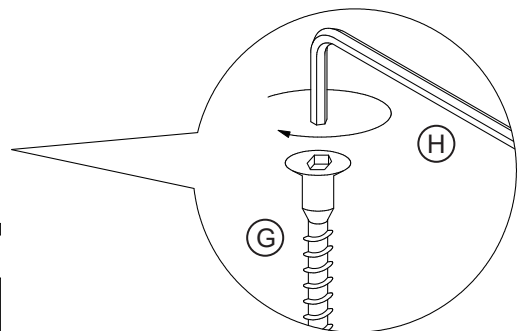
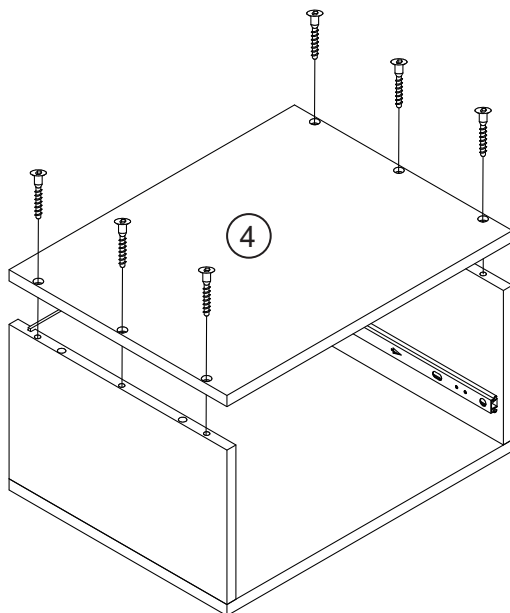
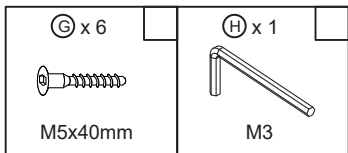
3



4

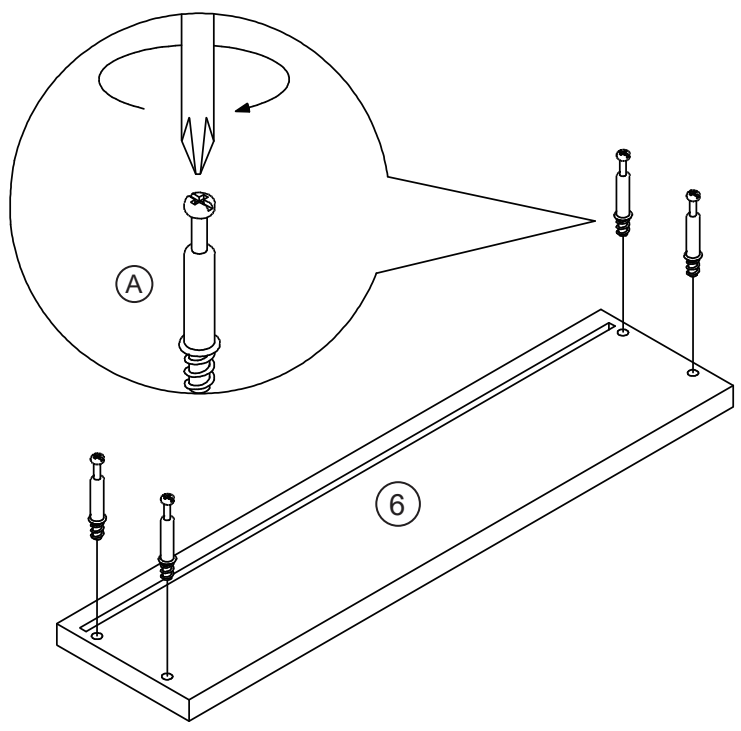


5



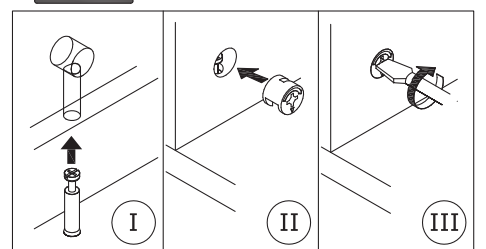
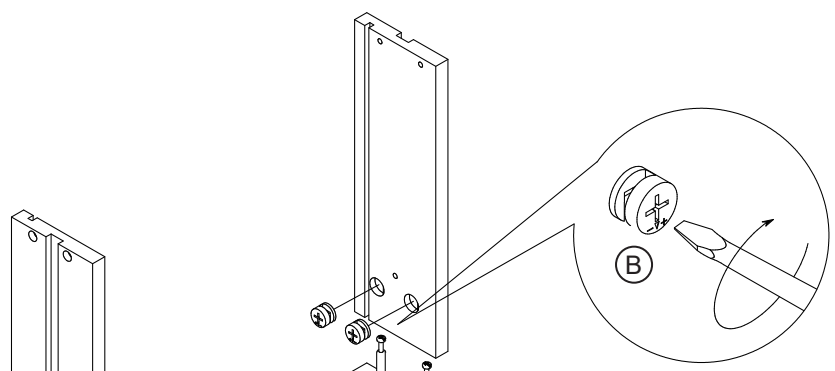
6

(A) x 4
6x35mm



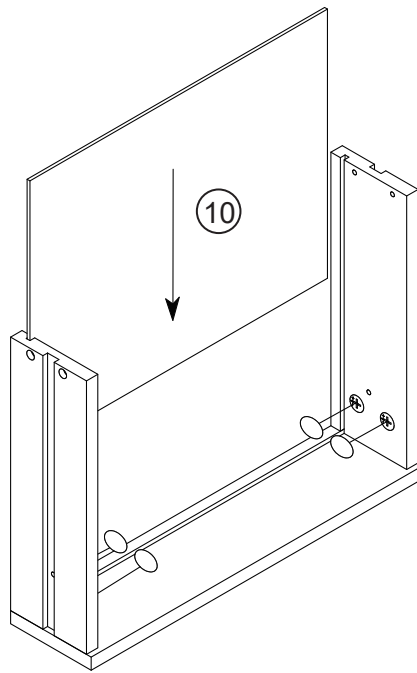
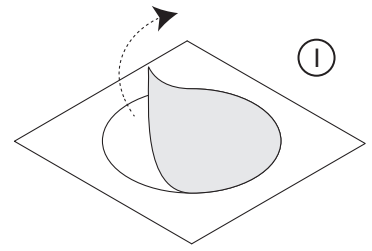
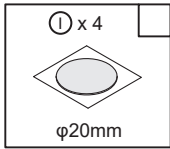
7

(B) x 4
15x10mm

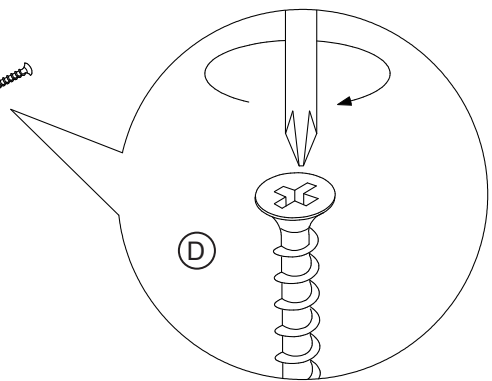
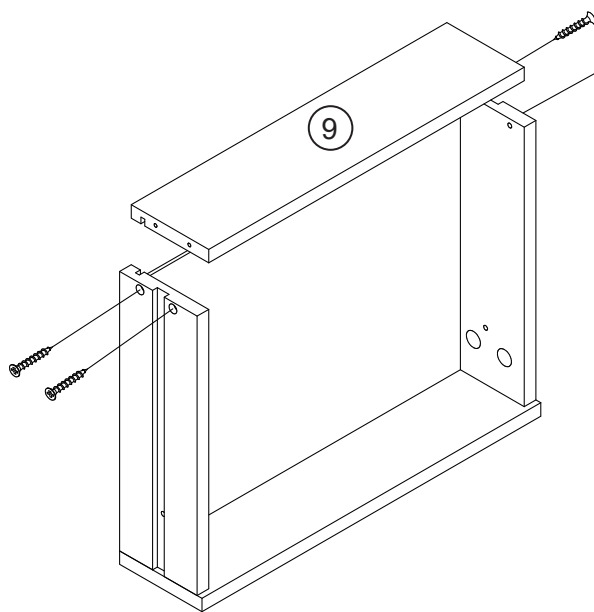
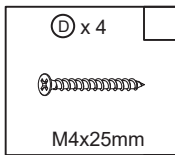


8-13

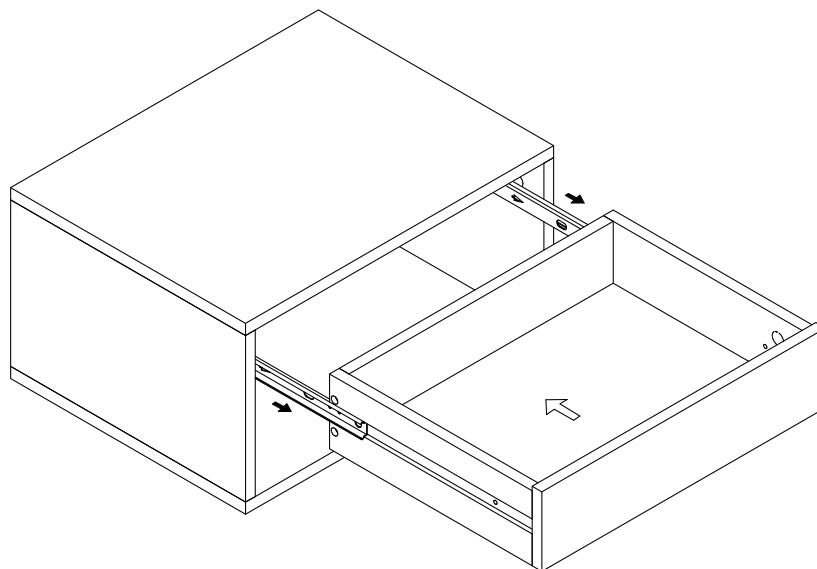
8



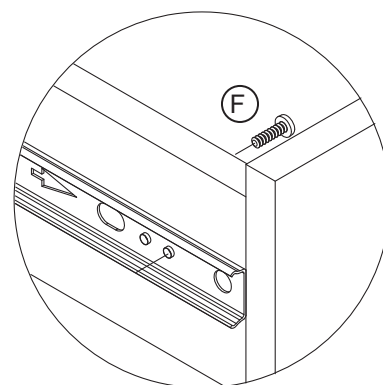
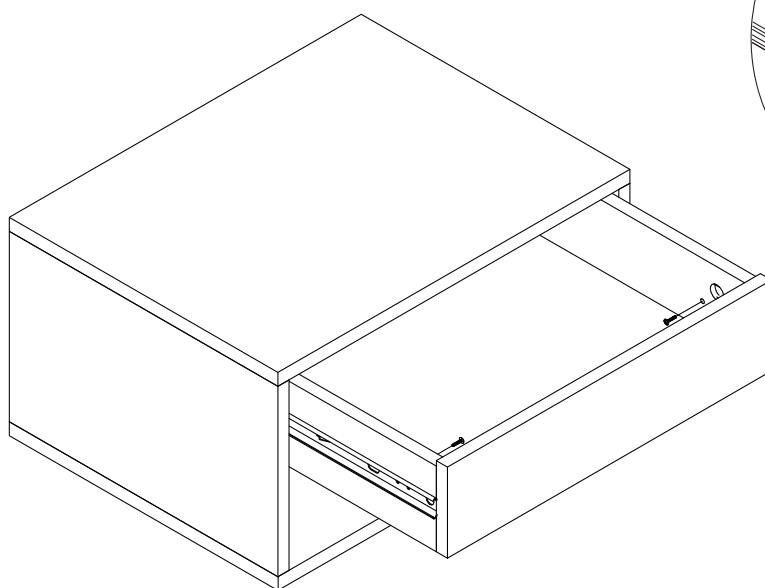
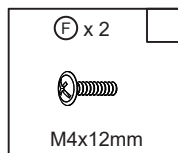
9

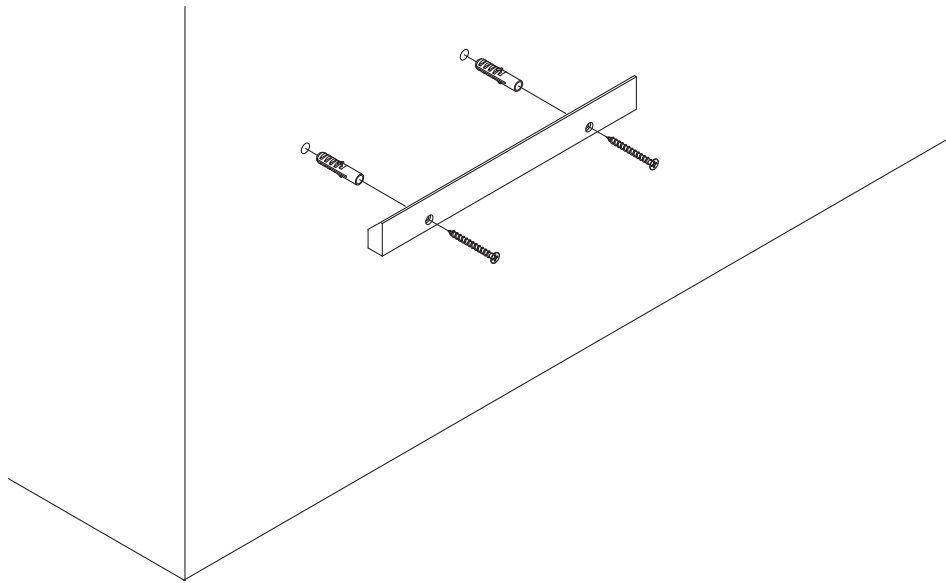


10



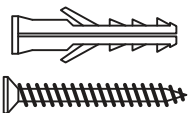
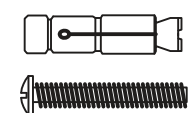
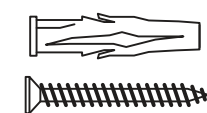
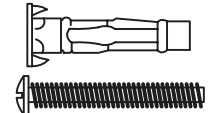
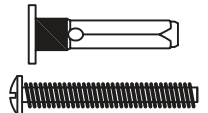
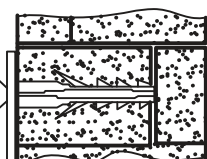
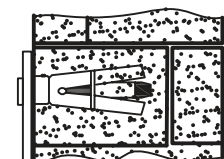
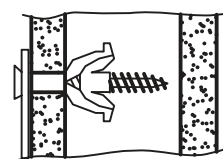
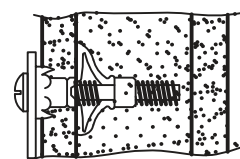
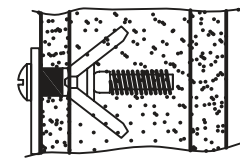
11

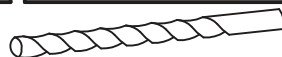




Due to the wide diversity of wall or partition types, we cannot provide you with suitable attachment fixtures. To determine which attachment fixtures to use, you will need to identify the type of wall to which you will be fixing this product. Here are some examples of attachment fixtures recommended for :

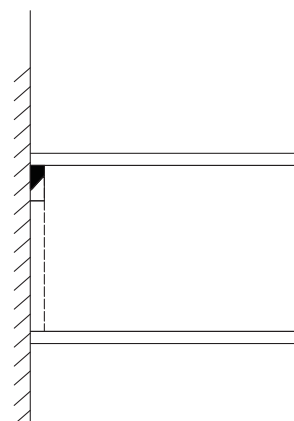
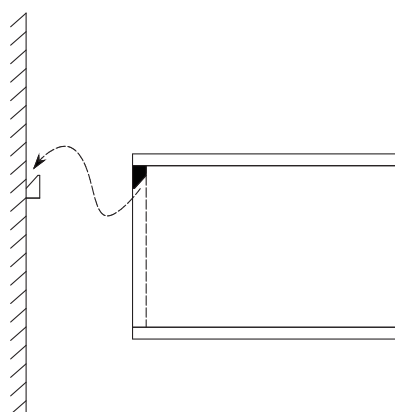
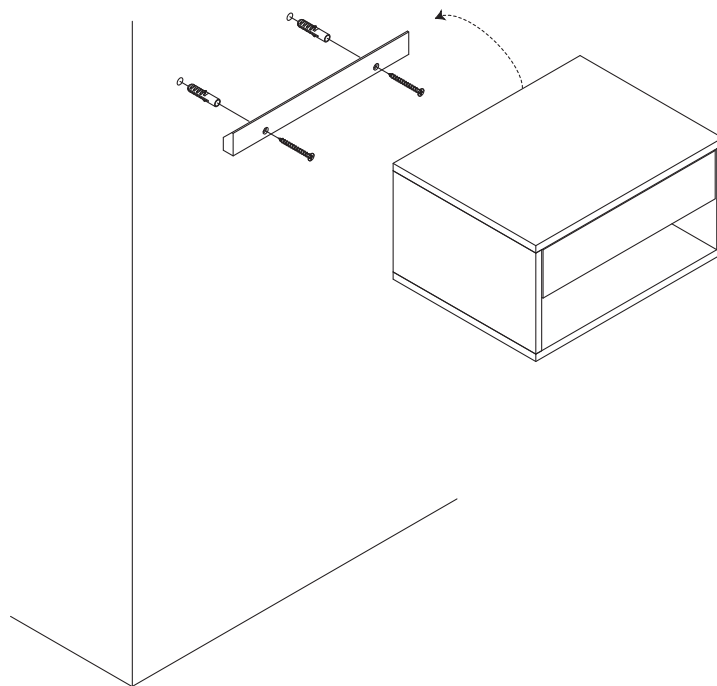


BLIND WALLS		STUDDED WALLS		
<p>"FISCHER" Nylon plug</p> 	<p>Metal Wall plug</p> 	<p>Nylon winged Wall plug</p> 	<p>Metal expansion plug</p> 	<p>"MOLLY" plug</p> 
				



Use a drill bit that is compatible in size with the hardware used and the type of wall

13



12-13

