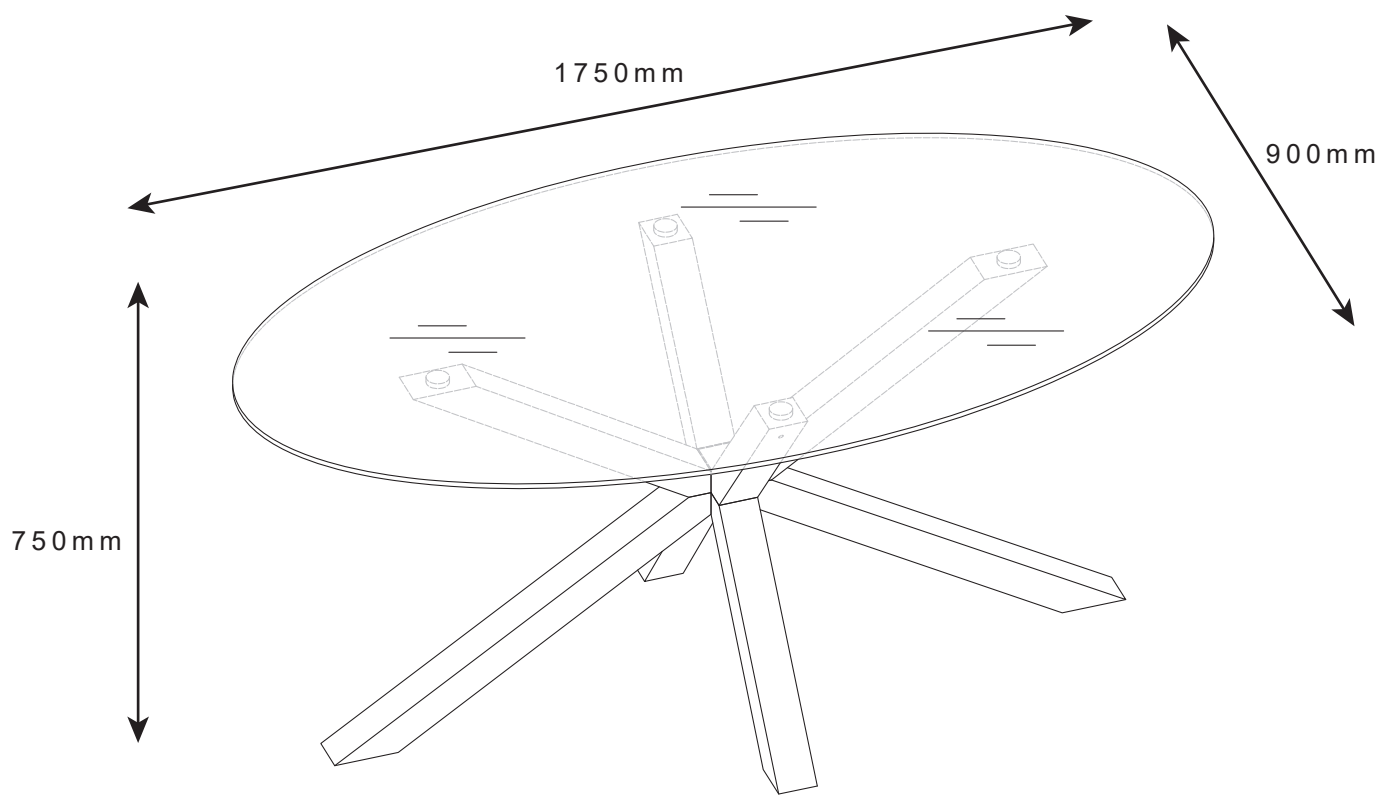
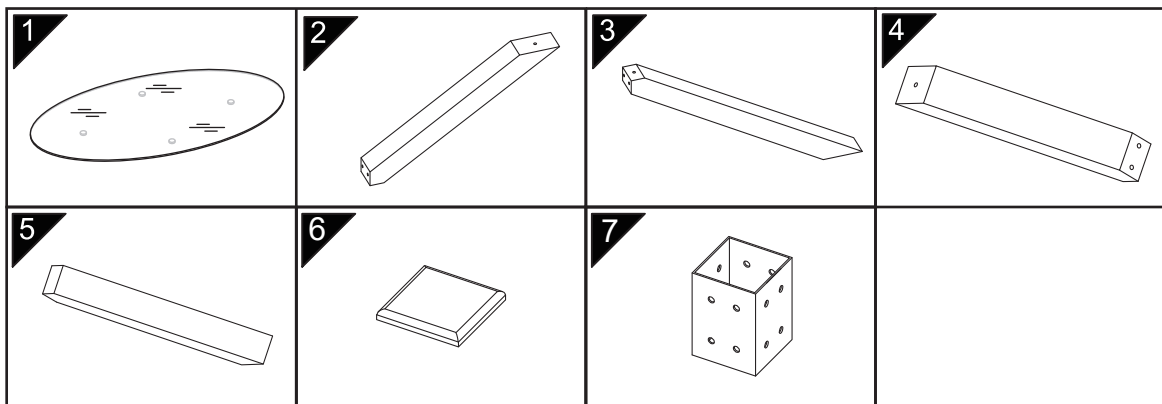
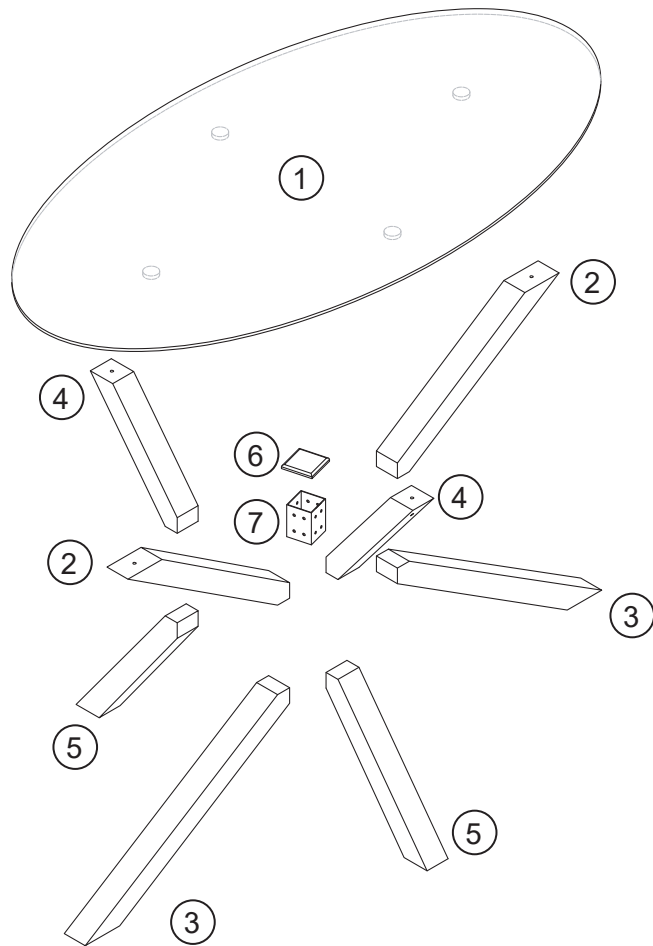


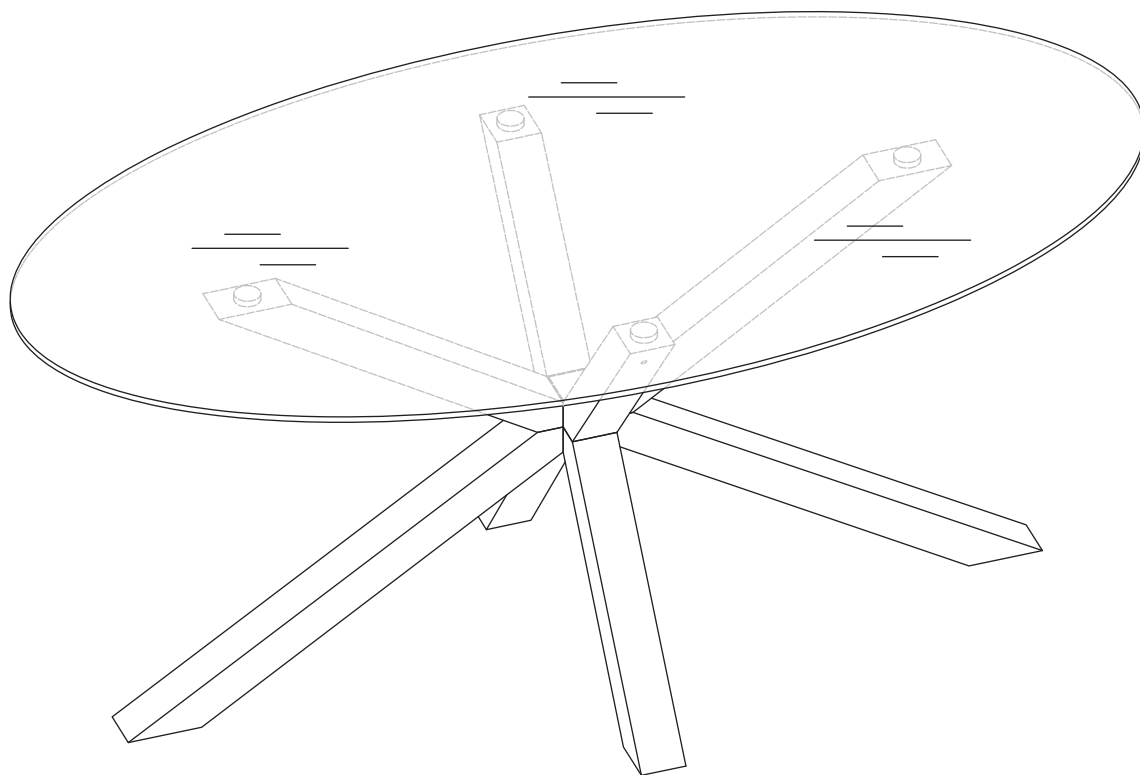
# NIMARA Sidney



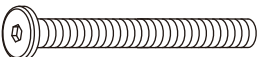



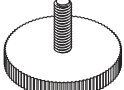
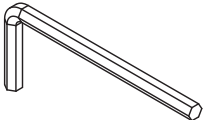
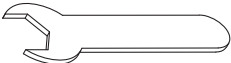


This block contains a series of icons: two stylized human figures, a circular clock icon with '1h' inside, a screwdriver and a screw, a hex key and a hex bolt, a wrench, and a screwdriver and a screw with a diagonal line through them, indicating that this tool is not required for assembly.

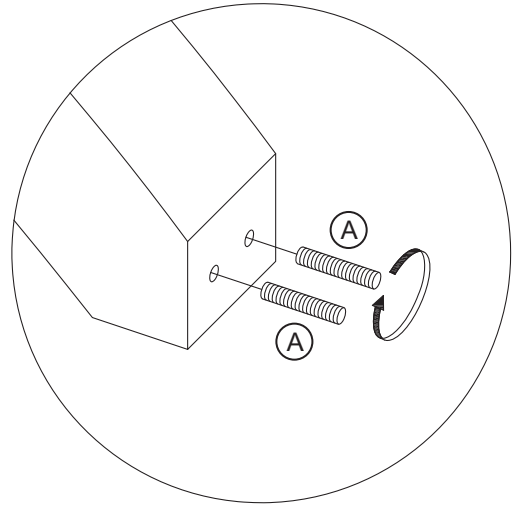
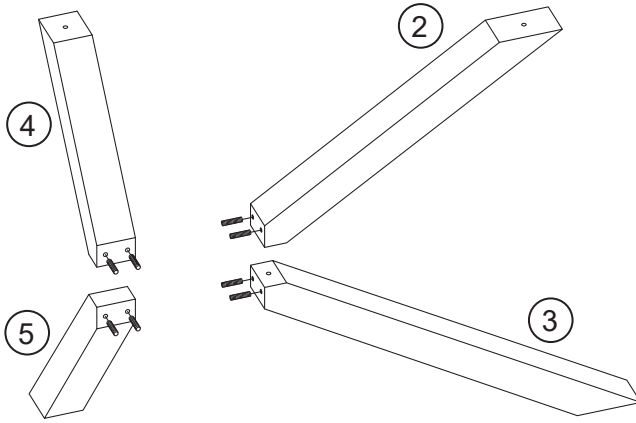
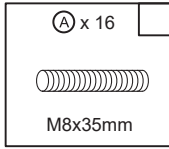


|   |               |     |
|---|---------------|-----|
| 1 | 1750x900x20mm | 1pc |
| 2 | 590x70x80mm   | 2pc |
| 3 | 810x80x80mm   | 2pc |
| 4 | 400x70x80mm   | 2pc |
| 5 | 600x80x80mm   | 2pc |
| 6 | 78x78x10mm    | 1pc |
| 7 | 120x80x80mm   | 1pc |



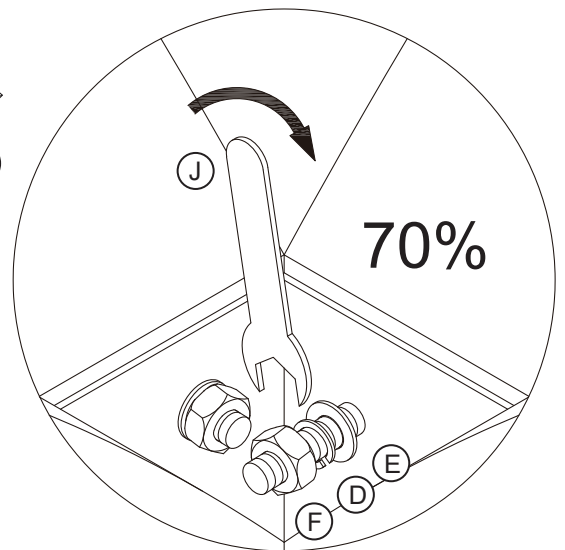
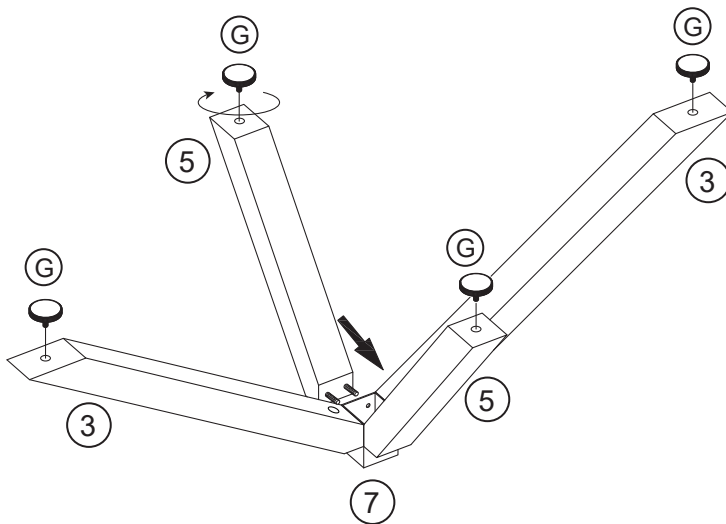
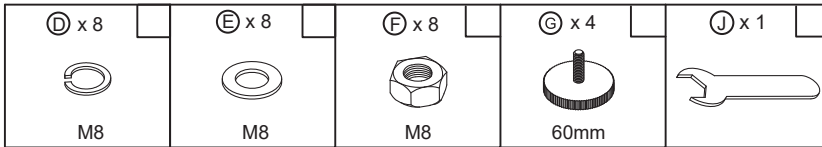
|  |   |   |   |   |
|--|---|---|---|---|
| <p>Ⓐ x 16</p>  <p>M8x35mm</p> | <p>Ⓑ x 4</p>  <p>M8x30mm</p> | <p>Ⓒ x 2</p>  <p>M8x65mm</p> | <p>Ⓓ x 22</p>  <p>M8</p> | <p>Ⓔ x 22</p>  <p>M8</p> |
| <p>Ⓕ x 16</p>  <p>M8</p>      | <p>Ⓖ x 4</p>  <p>60mm</p>    | <p>Ⓗ x 1</p>  <p>M5</p>      | <p>Ⓙ x 1</p>              |   |

1



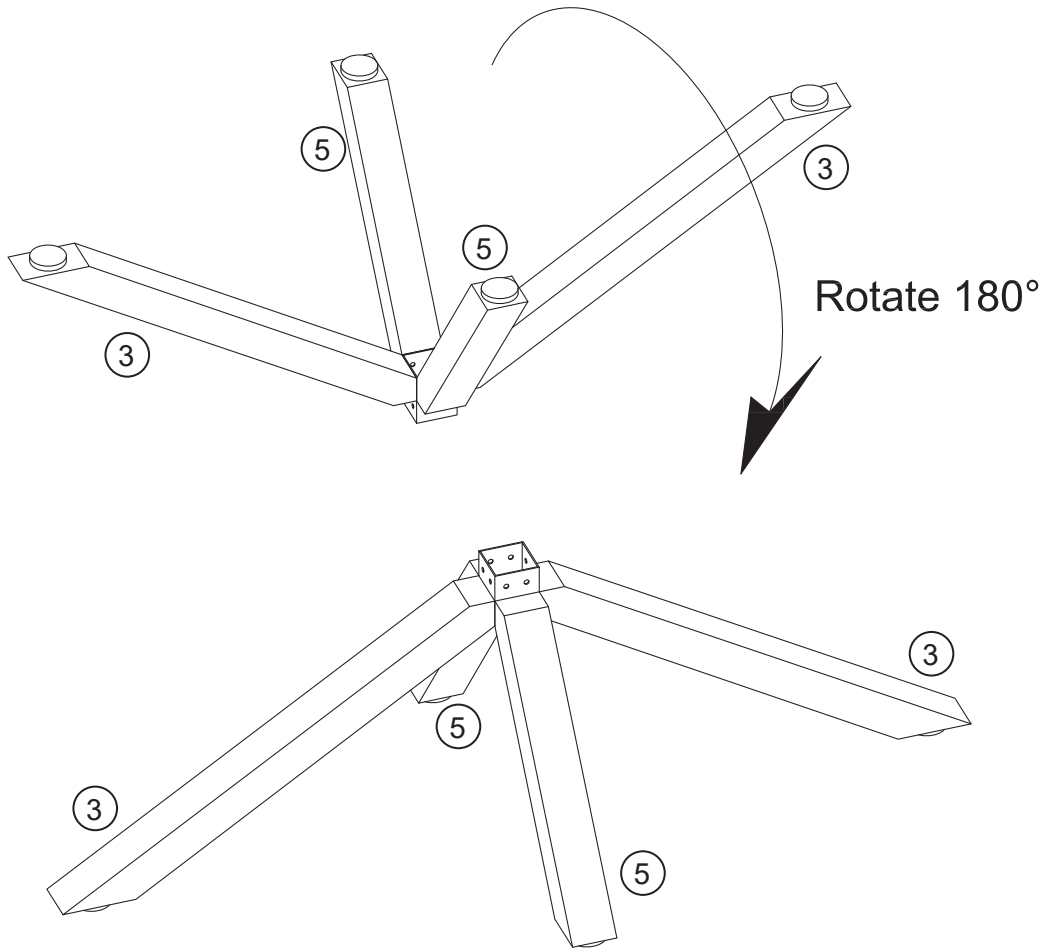
x2

2



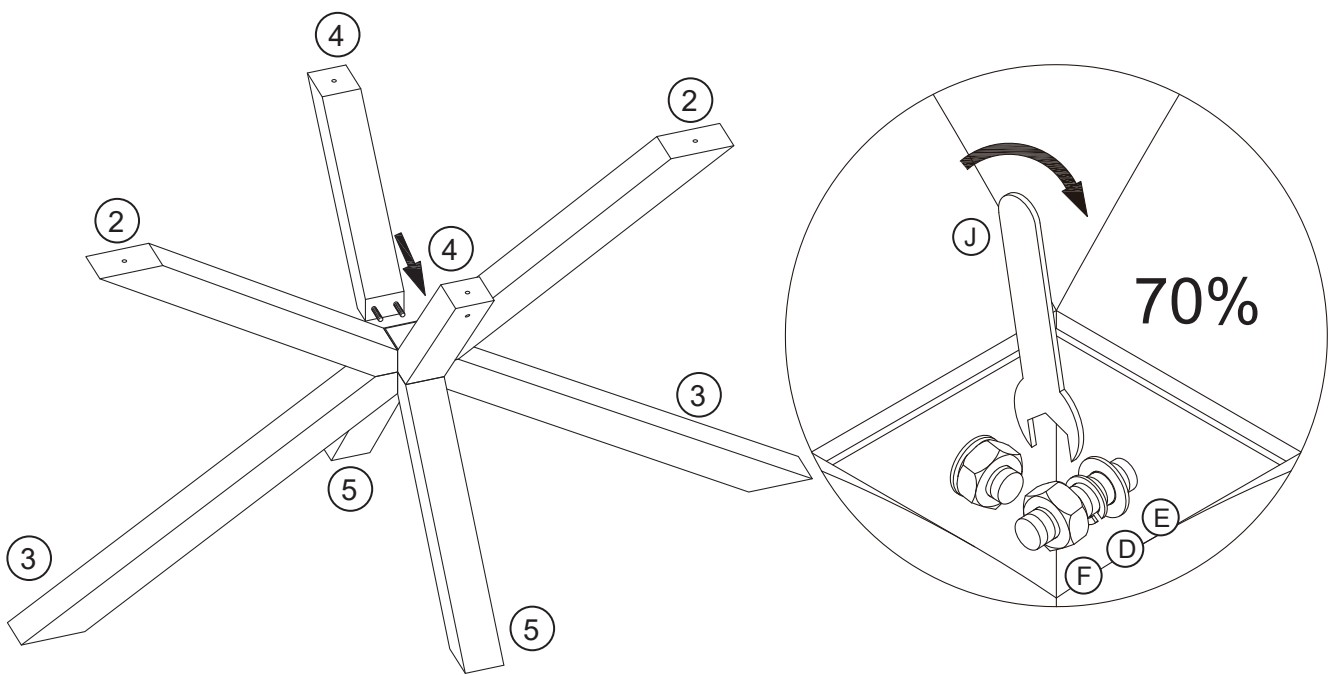
4-8

3



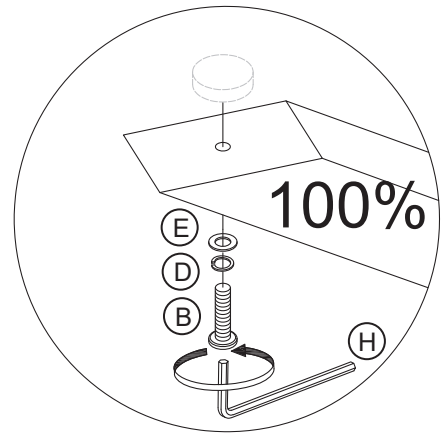
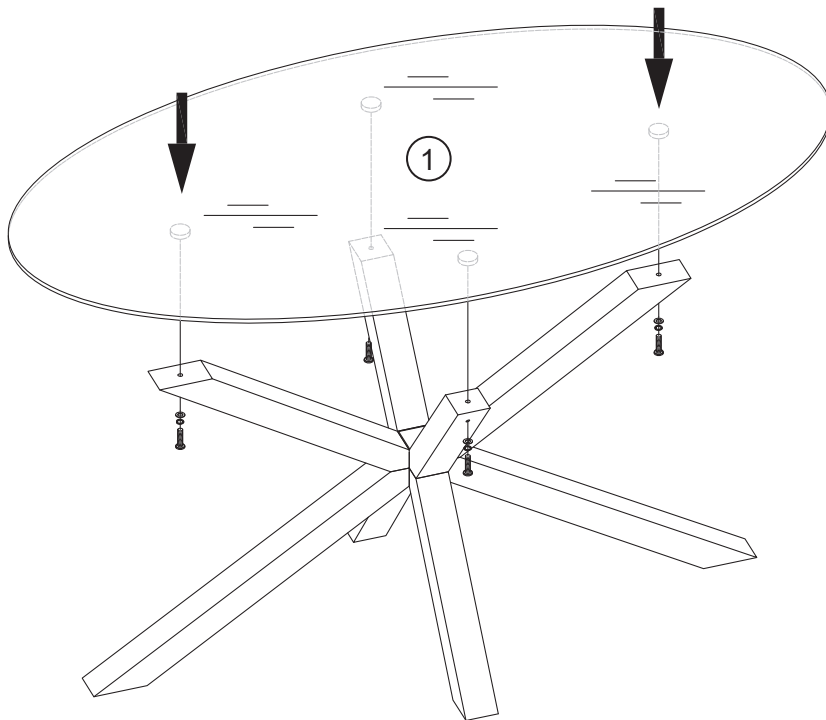
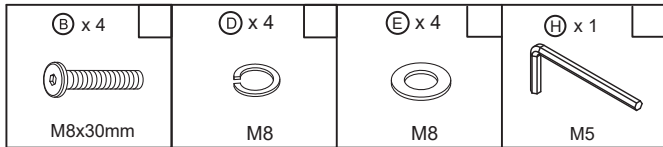
4

|                     |                     |                     |                     |
|---------------------|---------------------|---------------------|---------------------|
| $\text{D} \times 8$ | $\text{E} \times 8$ | $\text{F} \times 8$ | $\text{J} \times 1$ |
|                     |                     |                     |                     |
| M8                  | M8                  | M8                  |                     |



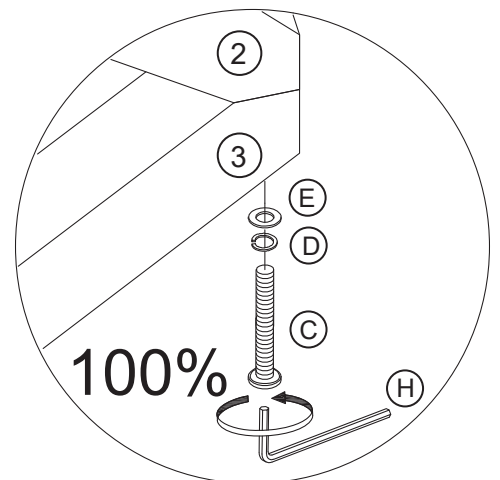
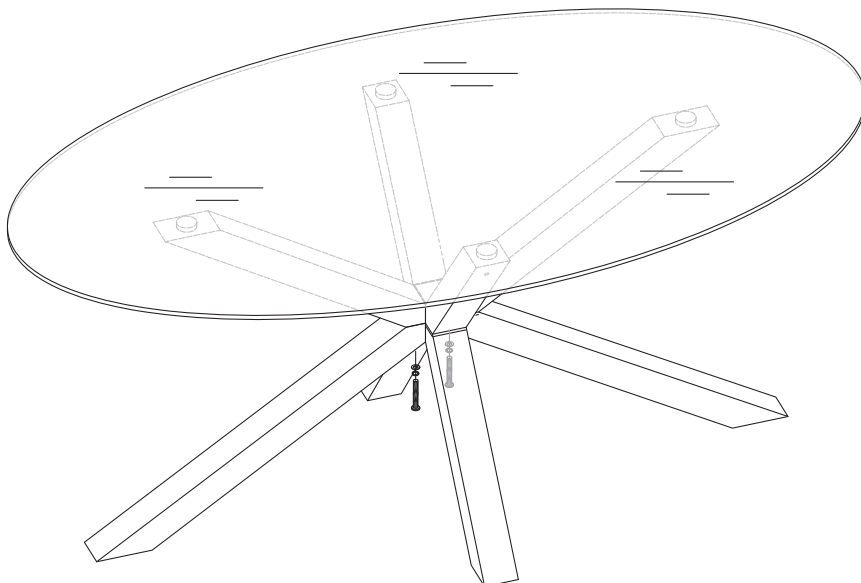
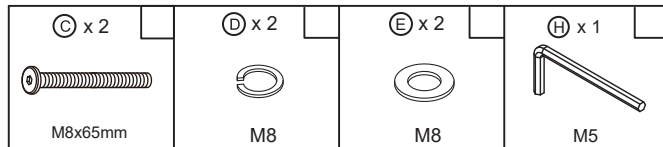
5-8

5

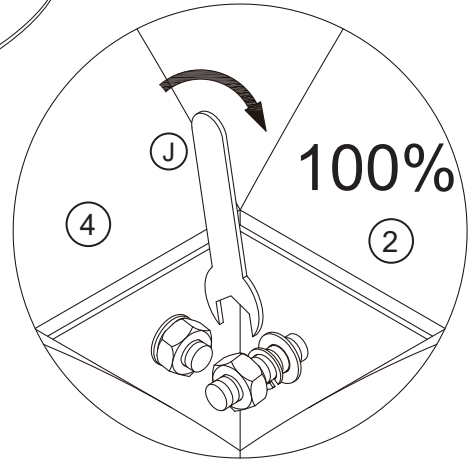
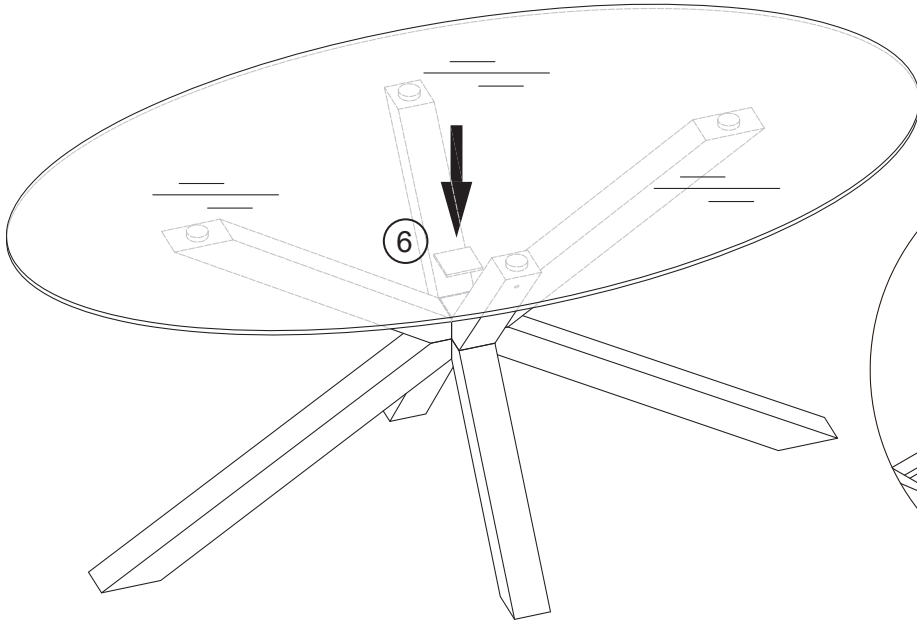
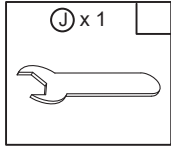


Do not tighten the bolts underneath tabletop until all bolts are screwed in position. Lift up the tabletop little bit when you try to align the holes.

6

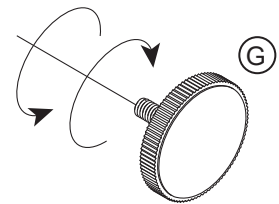
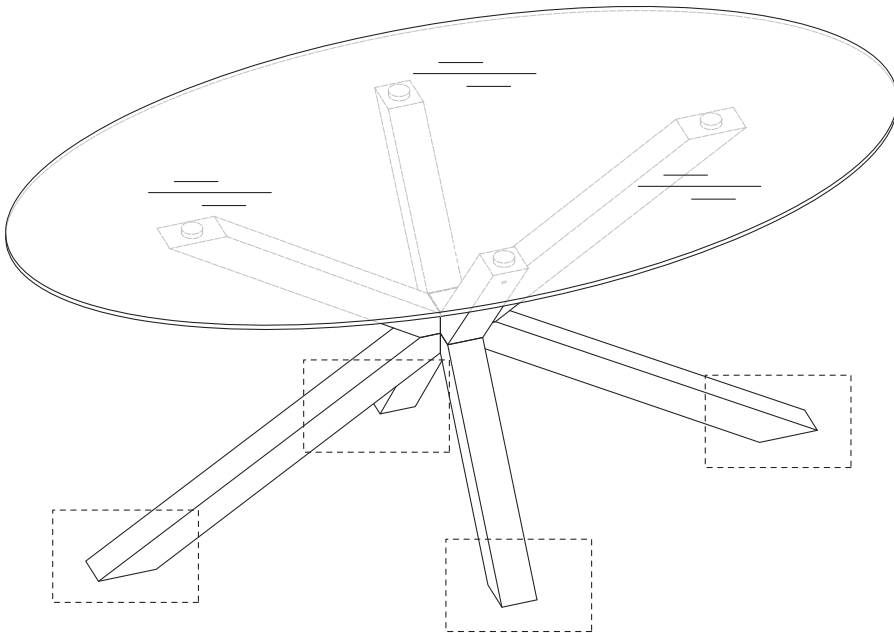
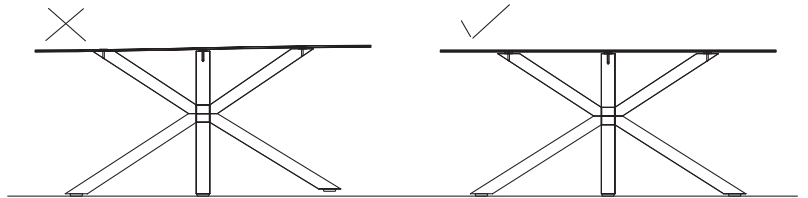


7



8

Step 8:



7-8

